



Installation Guide for AC-1000RF V1.0 & AC-1000SA V1.2

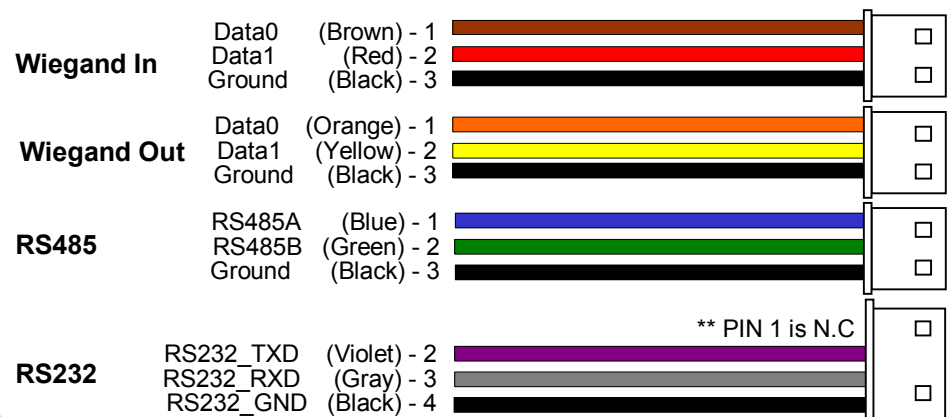
Version Eng1.01

Sep., 10.2008

Union Community Co., Ltd.

1. External Connectors

Wiegand, RS232 & RS485 Interface



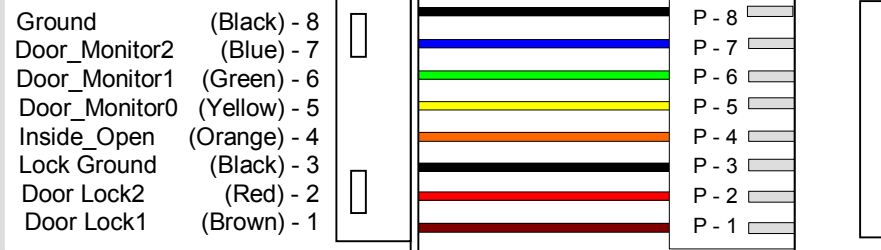
DC Power Input Interface



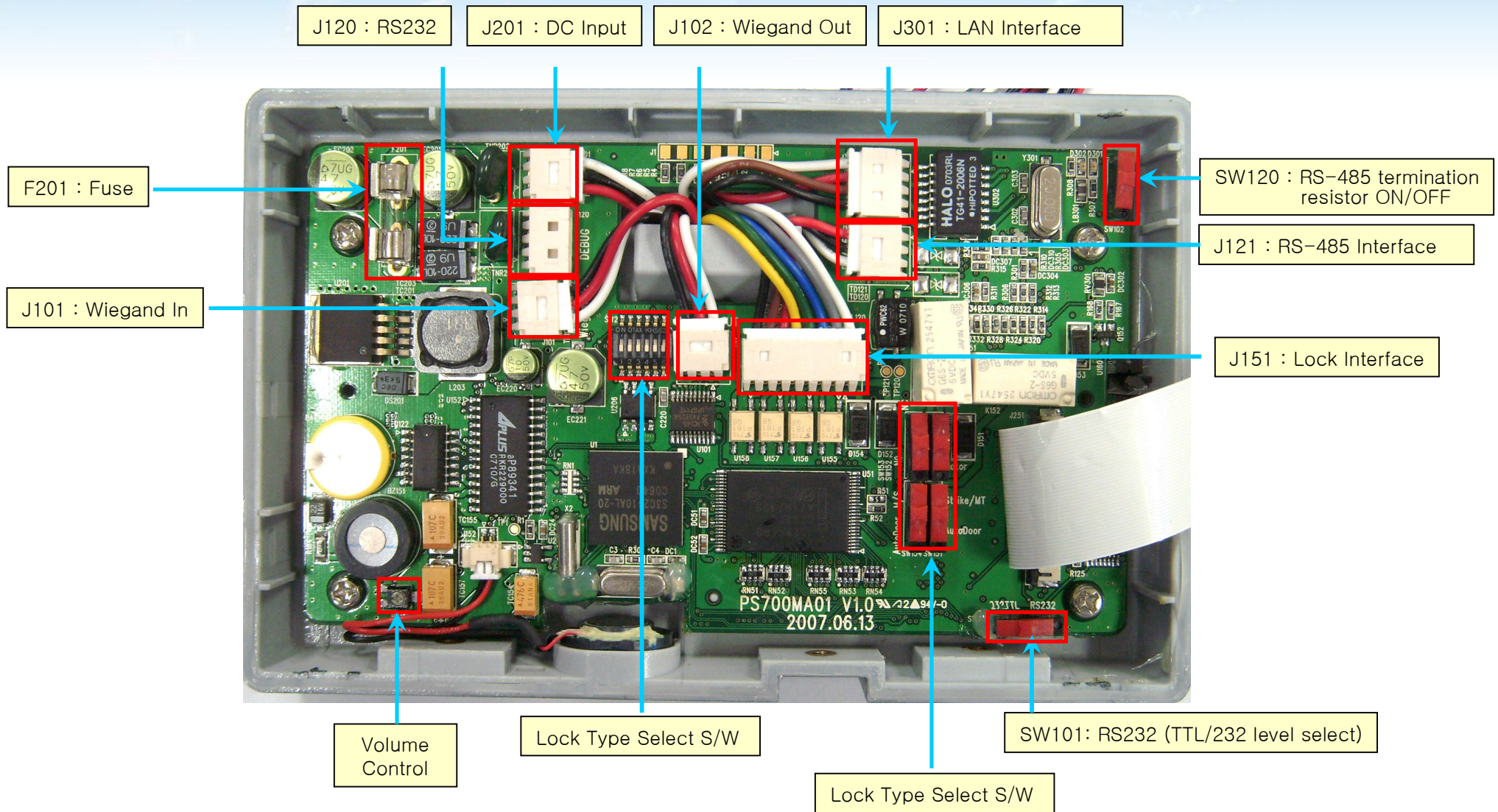
TCP/IP Network Interface (RJ45)



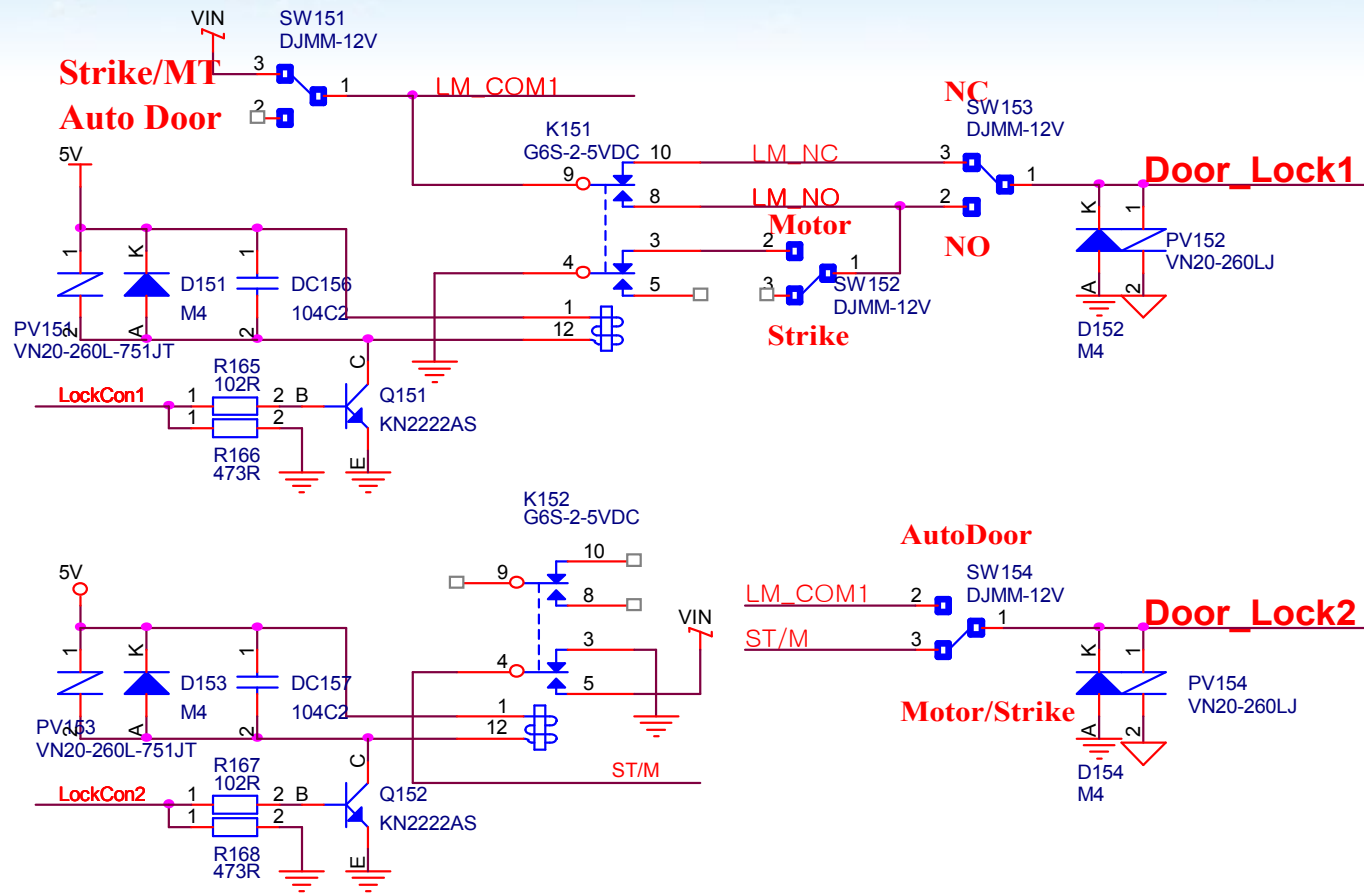
Door Lock & Status Input Interface



2. Main board feature



3. Schematic for Door Lock Interface

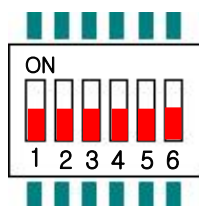


4. Connecting Dead-Bolt Type Door Lock (Fail Safe)

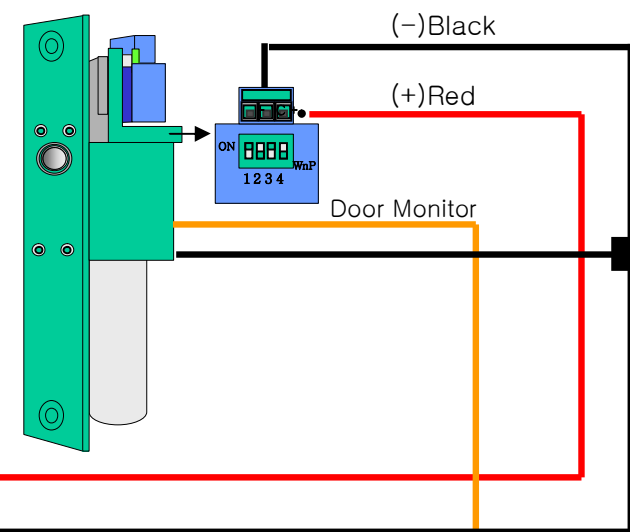
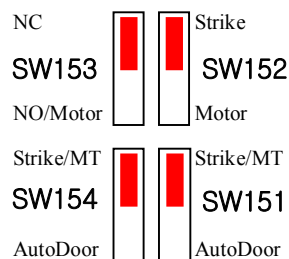
4. 1. Connect with one system & one lock

◆ Lock Type Select Switch

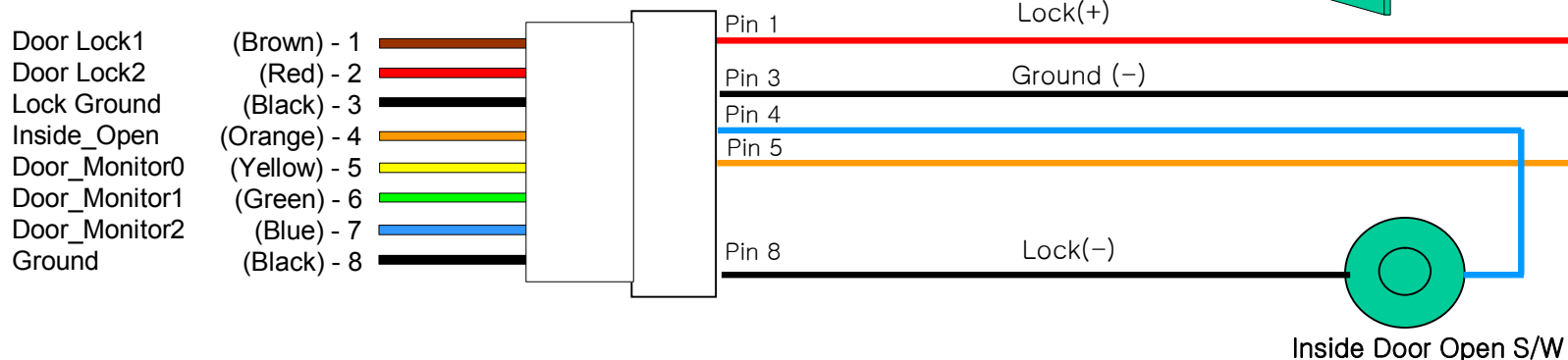
1) SW2



2) SW151~SW154



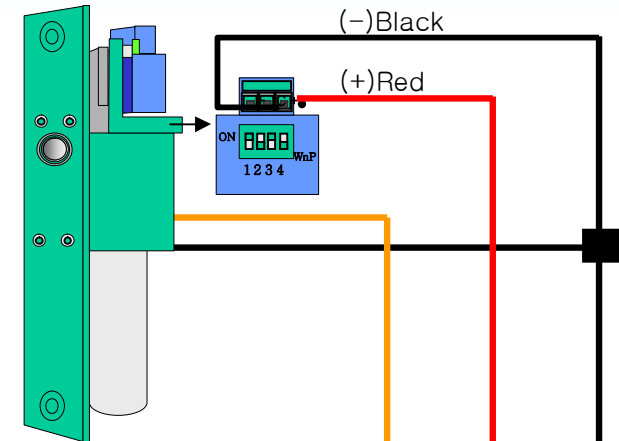
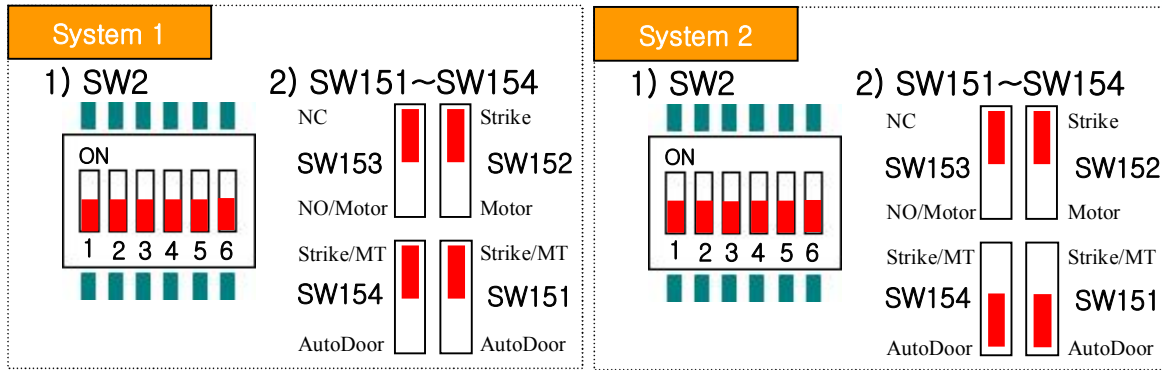
◆ Wiring diagram



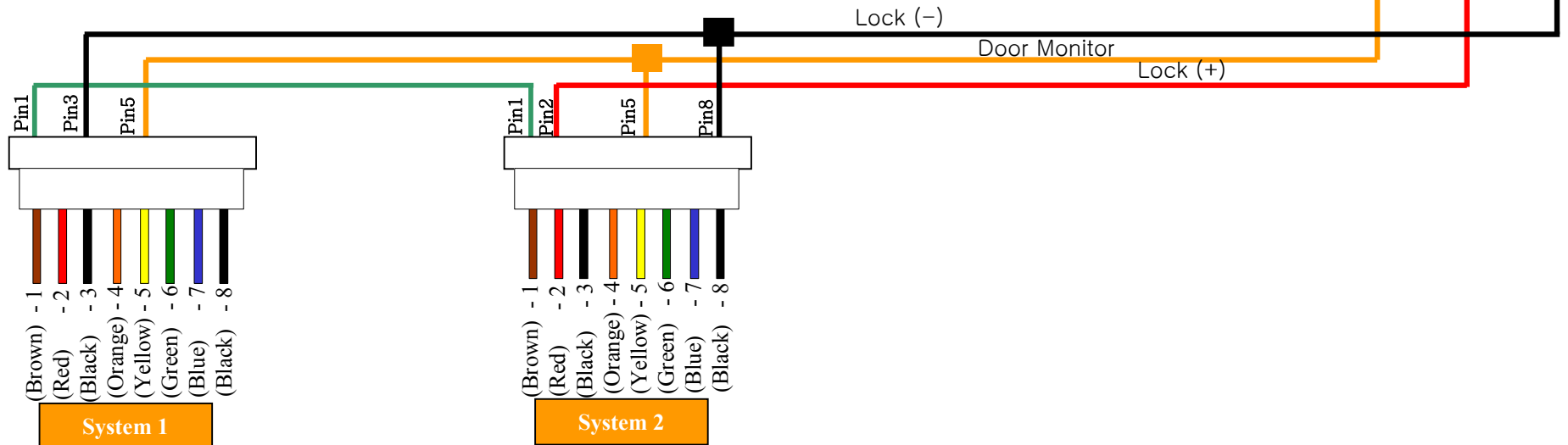
4. Connecting Dead-Bolt Type Door Lock (Fail Safe)

4. 2. Connect with two system & one lock

◆ Lock Type Select Switch



◆ Wiring diagram

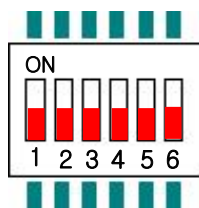


5. Connecting Strike Type Door Lock (Fail Safe)

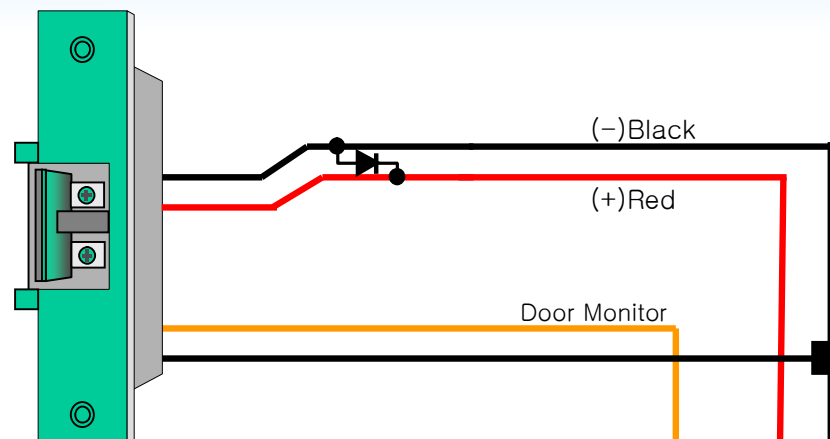
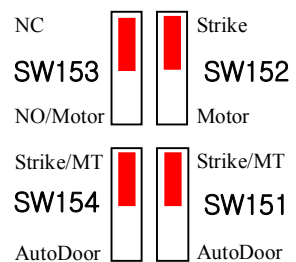
5. 1. Connect with one system & one lock

◆ Lock Type Select Switch

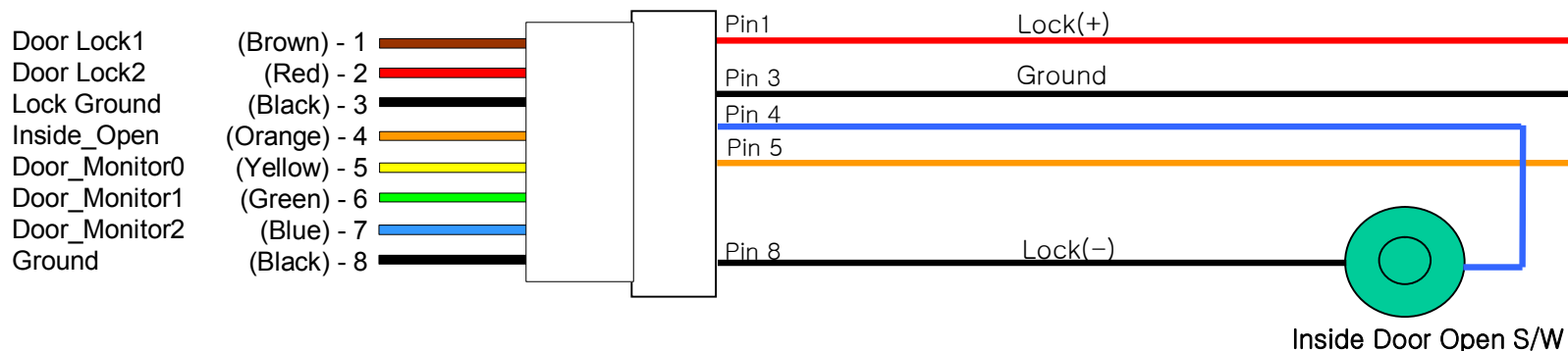
1) SW2



2) SW151~SW154



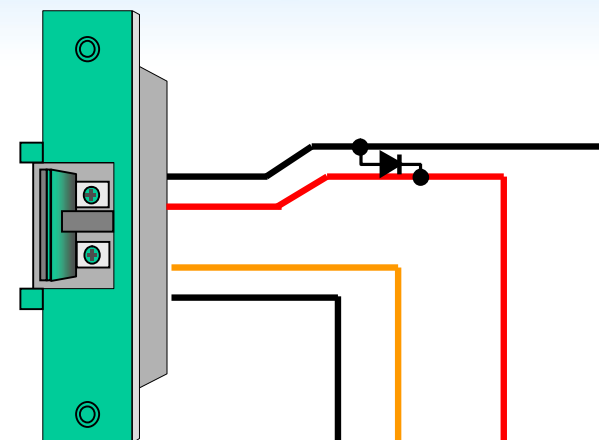
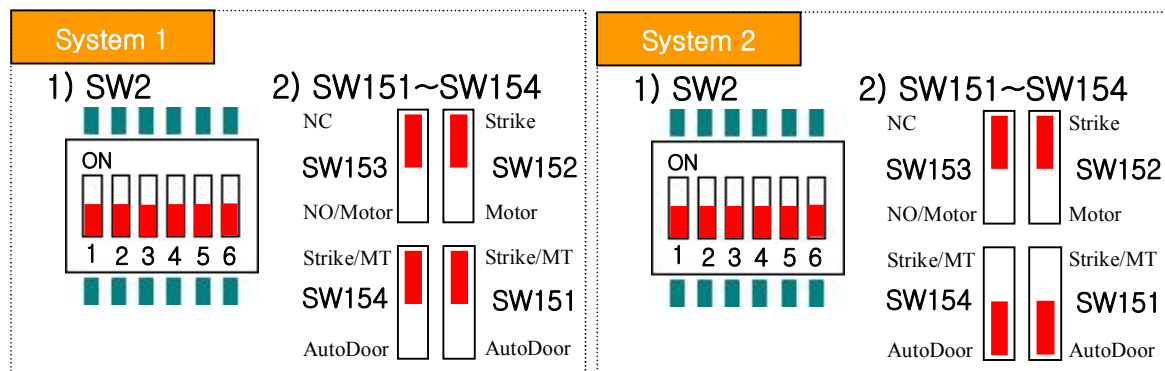
◆ Wiring diagram



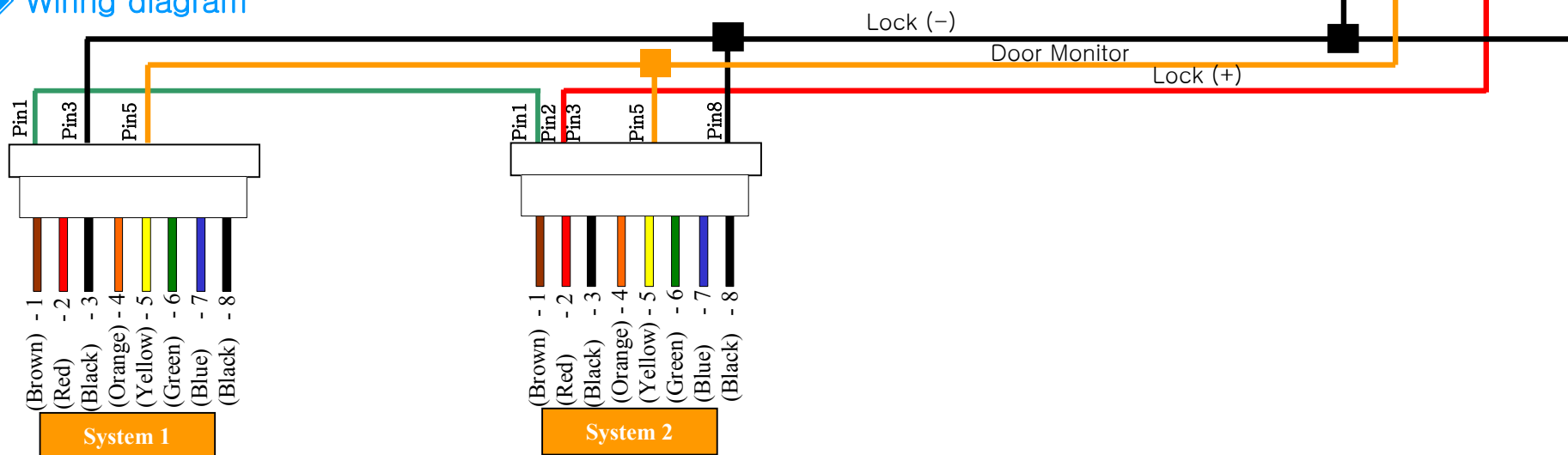
5. Connecting Strike Type Door Lock (Fail Safe)

5.2. Connect with two system & one lock

◆ Lock Type Select Switch



◆ Wiring diagram

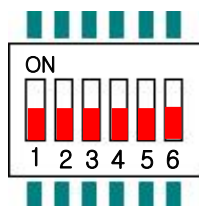


6. Connecting Strike Type Door Lock (Fail Secure)

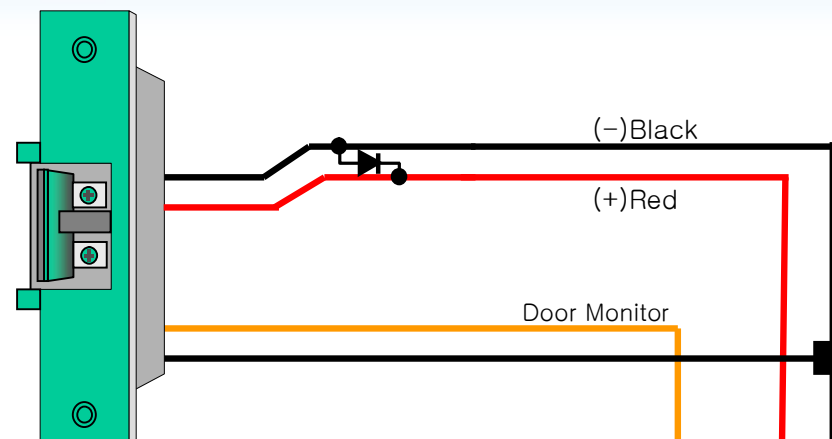
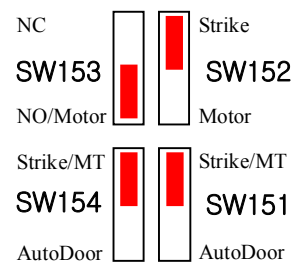
6. 1. Connect with one system & one lock

◆ Lock Type Select Switch

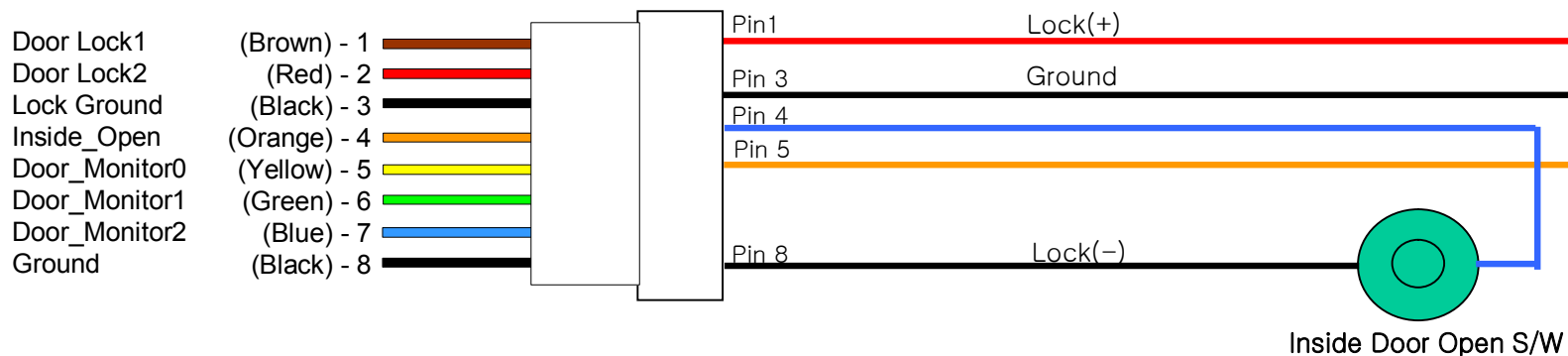
1) SW2



2) SW151~SW154



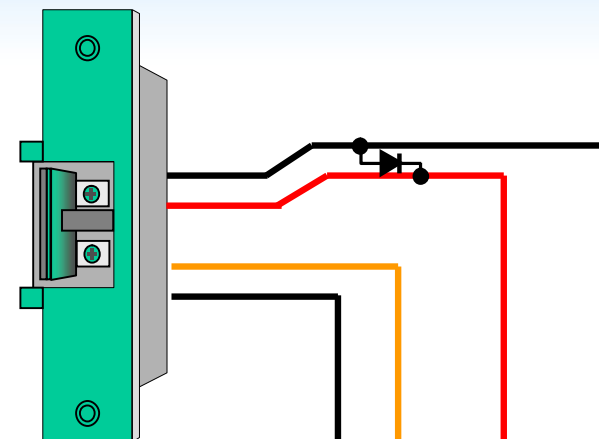
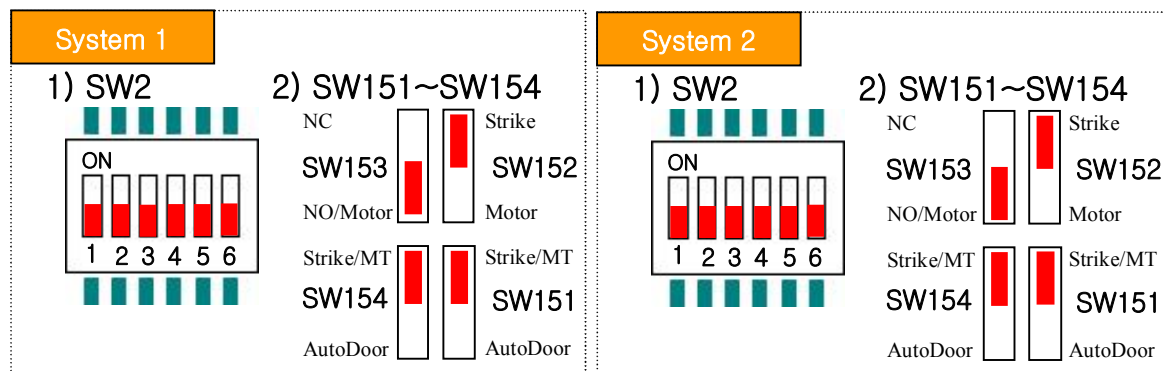
◆ Wiring diagram



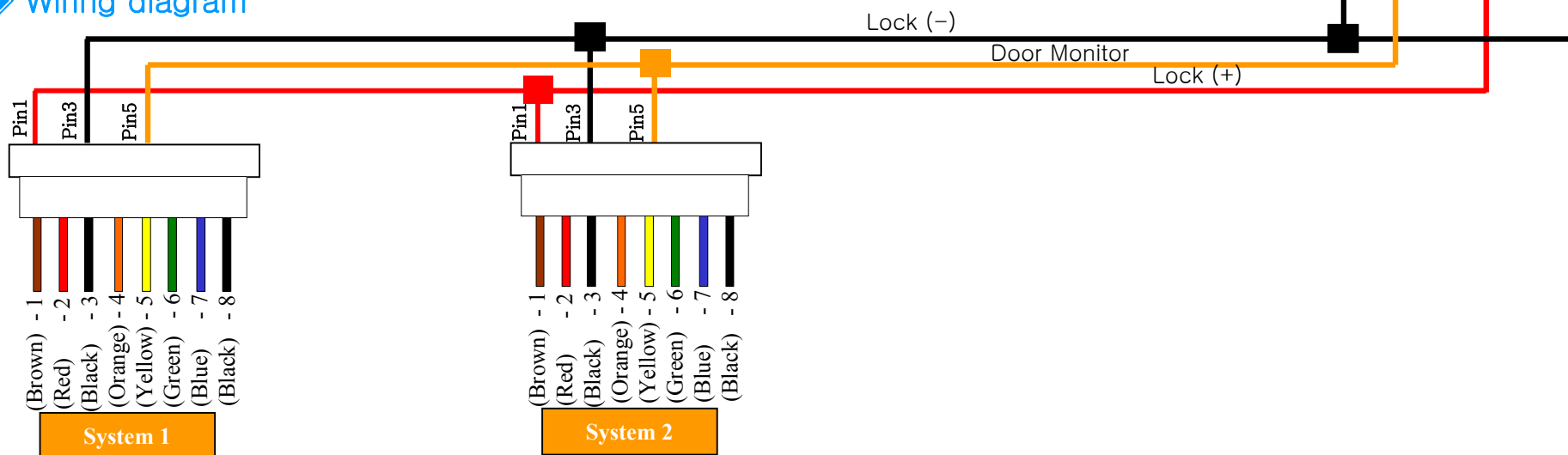
6. Connecting Strike Type Door Lock (Fail Secure)

6. 2. Connect with two system & one lock

◆ Lock Type Select Switch



◆ Wiring diagram

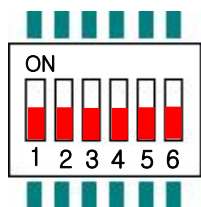


7. Connecting EM Type Door Lock (Fail Safe)

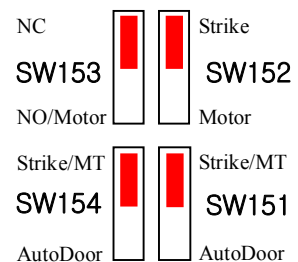
7. 1. Connect with one system & one lock

◆ Lock Type Select Switch

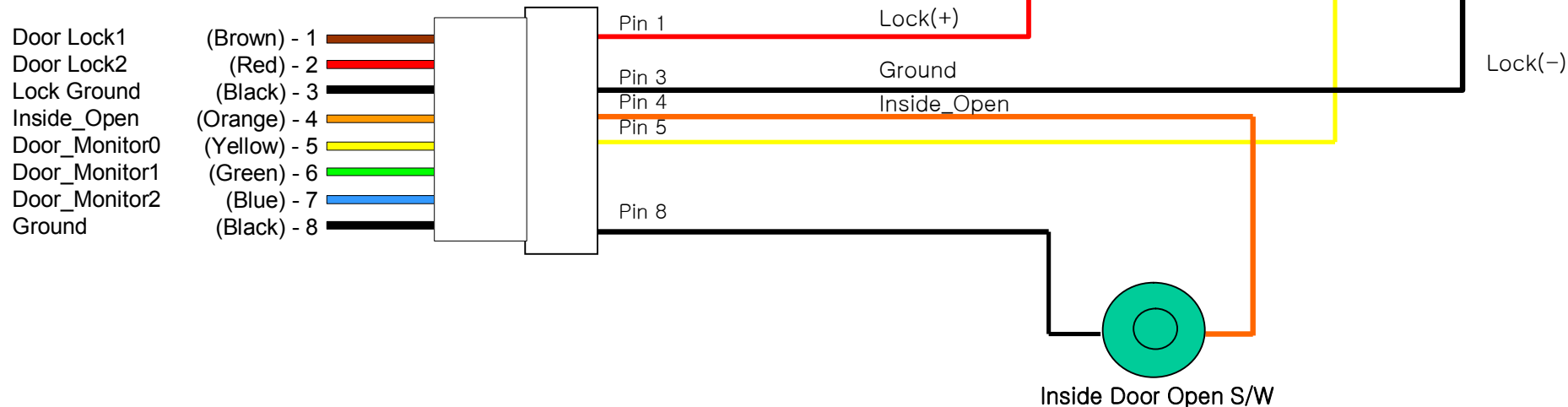
1) SW2



2) SW151~SW154



◆ Wiring diagram

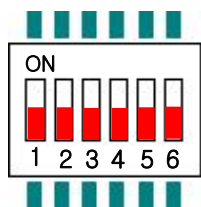


7. Connecting EM Type Door Lock (Fail Safe)

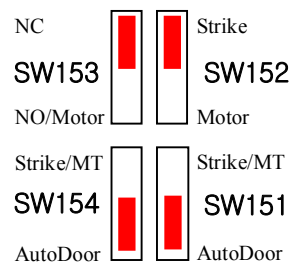
7. 2. Connect with one system & two lock
 ** Use external DC Power Adapter

◆ Lock Type Select Switch

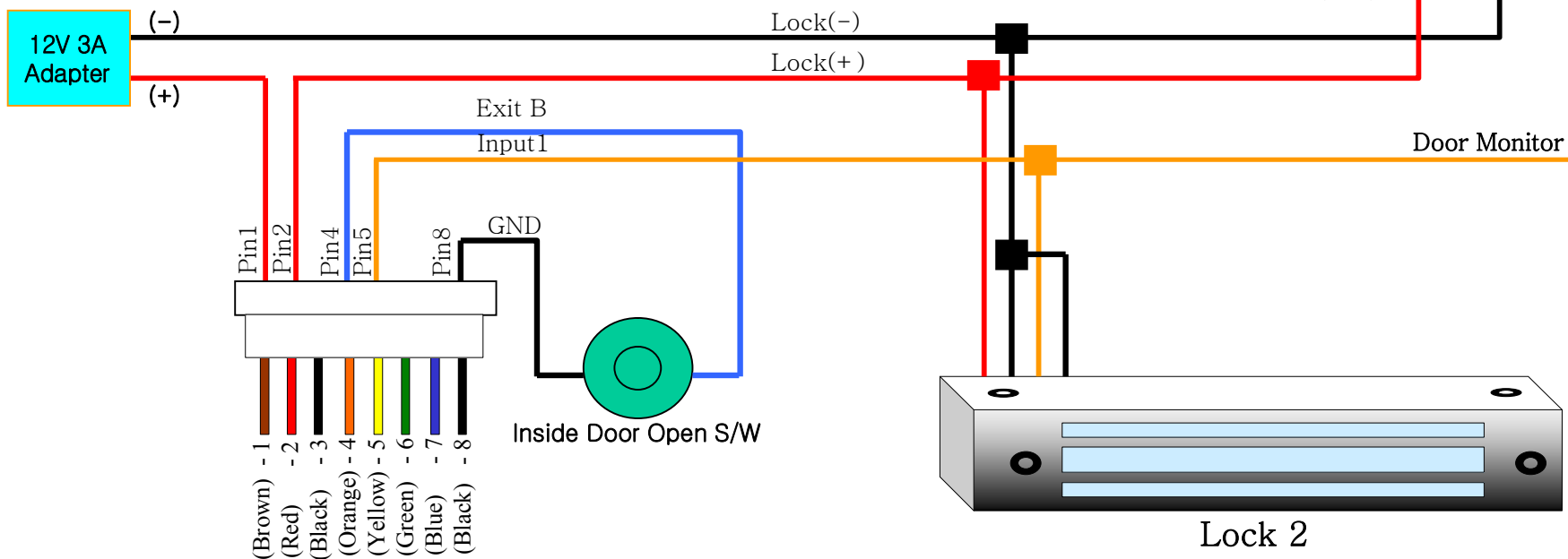
1) SW2



2) SW151~SW154



◆ Wiring diagram

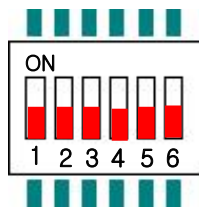


8. Connecting Auto Door (Contact Control)

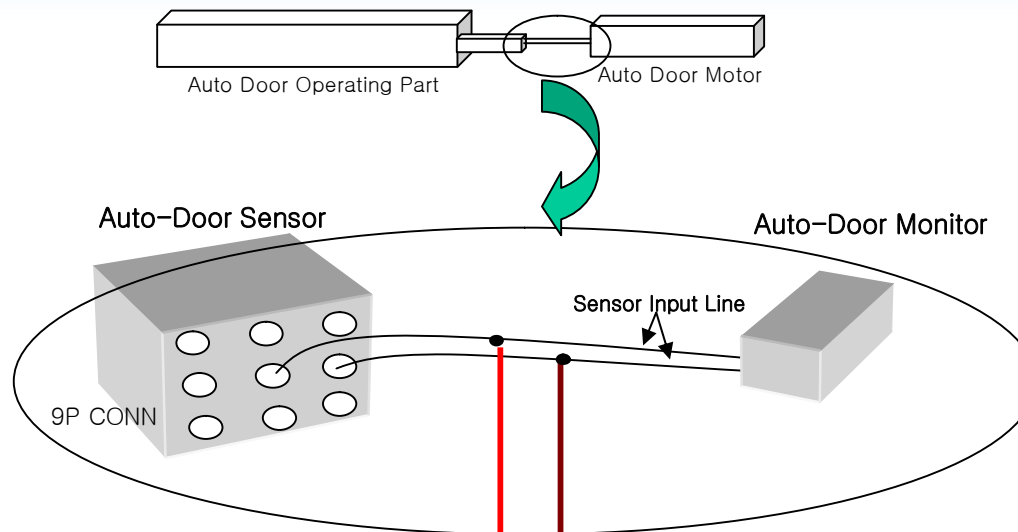
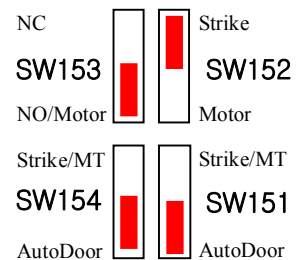
8. 1. Connect with two system & one door

◆ Lock Type Select Switch

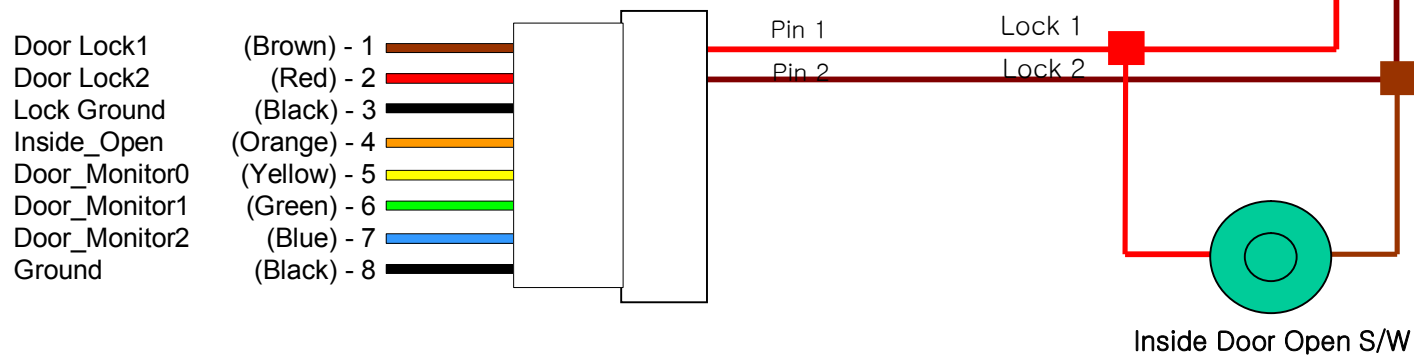
1) SW2



2) SW151~SW154



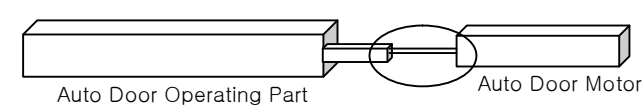
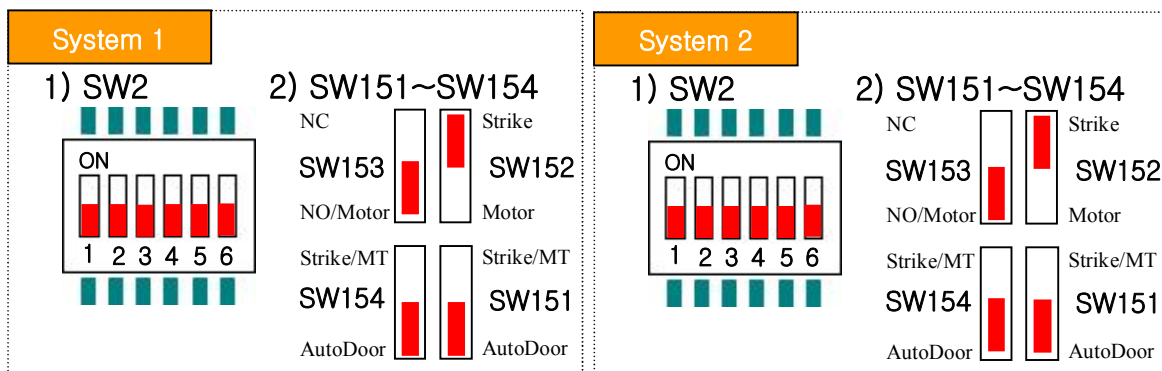
◆ Wiring diagram



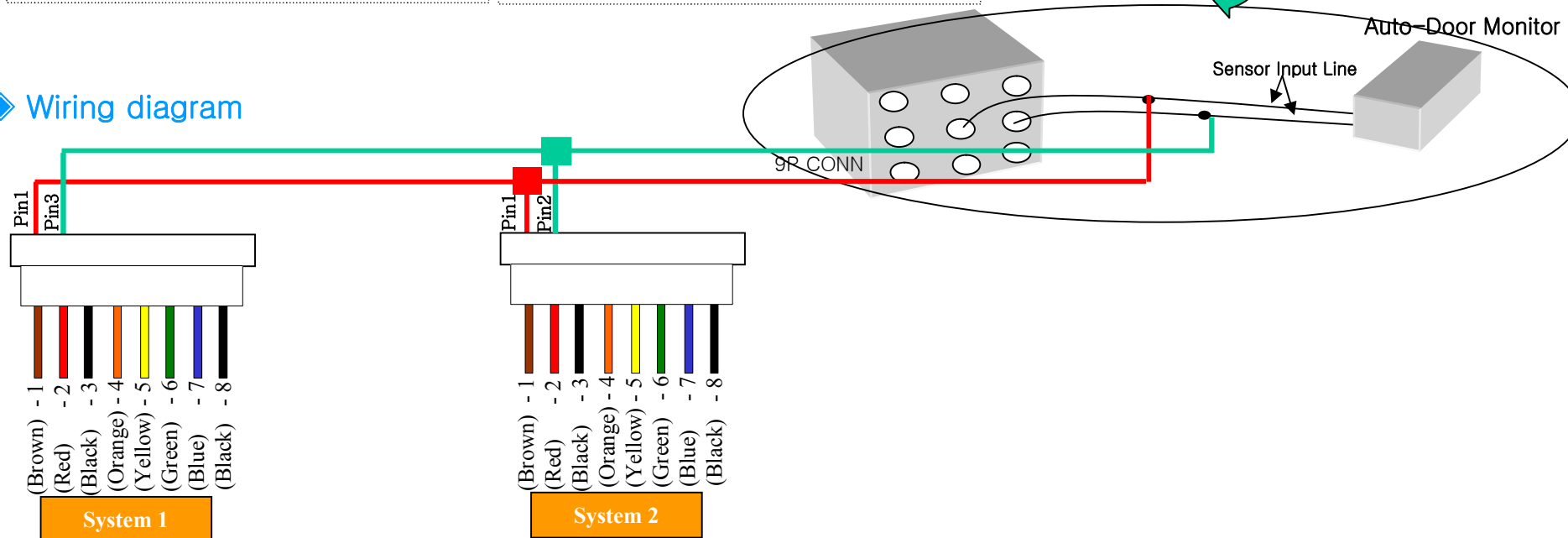
8. Connecting Auto Door (Contact Control)

8. 2. Connect with two system & one door

◆ Lock Type Select Switch



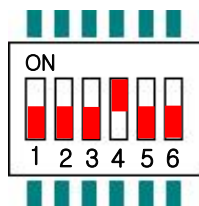
◆ Wiring diagram



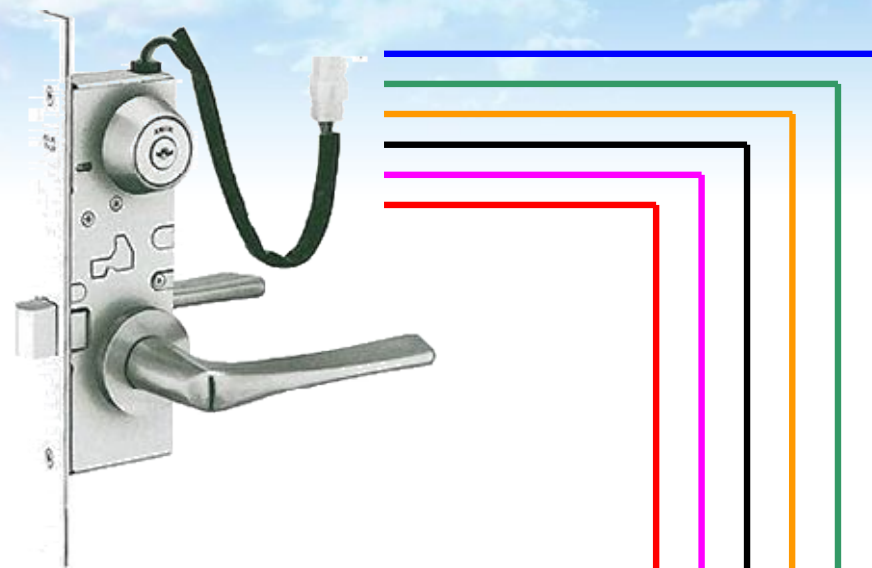
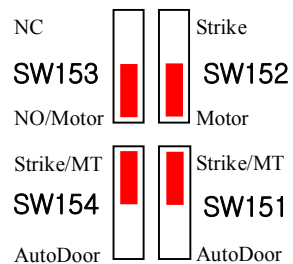
9. Connecting Motor Lock

◆ Lock Type Select Switch

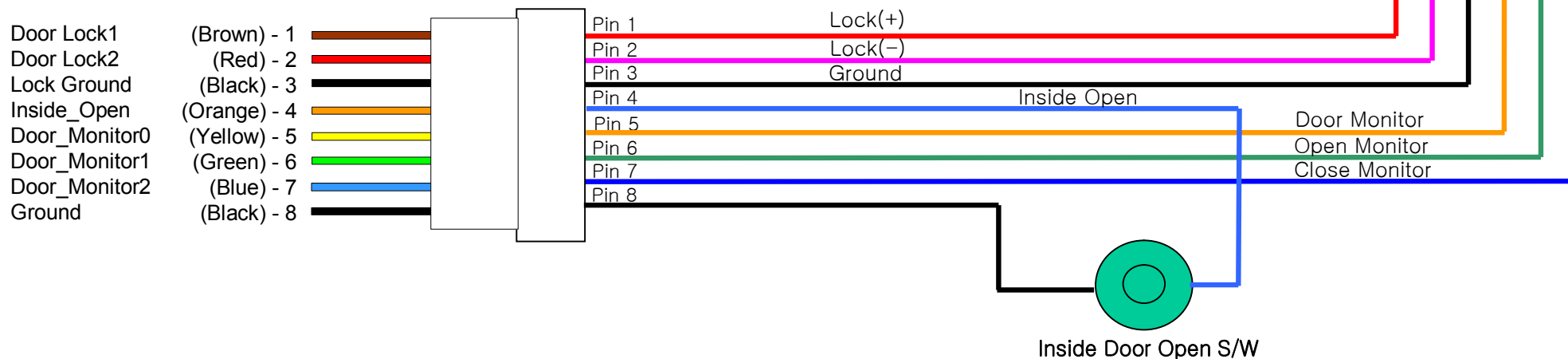
1) SW2



2) SW151~SW154



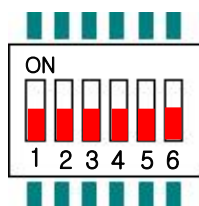
◆ Wiring diagram



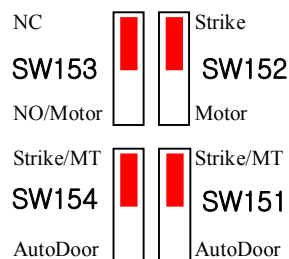
10. Connecting 2 Emergency Lamps

◆ Lock Type Select Switch

1) SW2



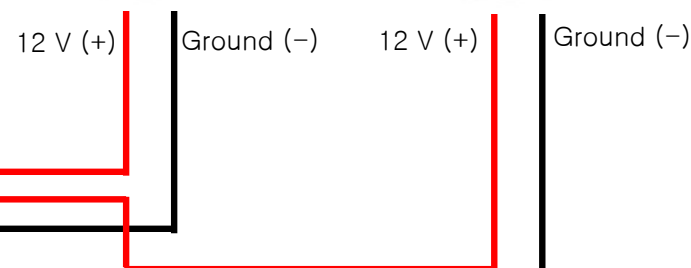
2) SW151~SW154



Emergency Lamp 1



Emergency Lamp 2



◆ Wiring diagram

