

Installation Guide for AC-5000 V1.0

Fingerprint Identification Terminal

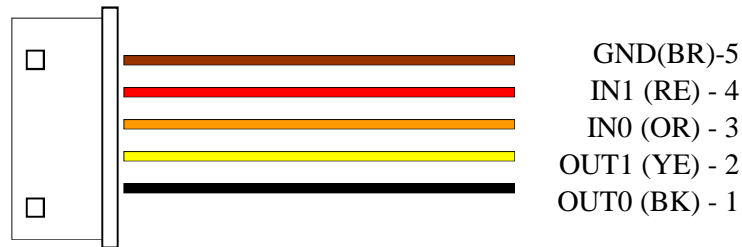


Apr.,05.2011
R&D Center
Union Community Co., Ltd.

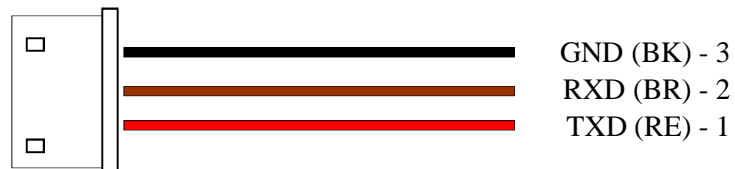
1. The Description of External Cables



Power Adapter Cable

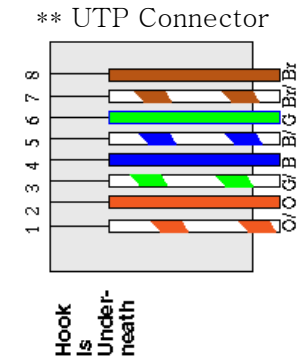
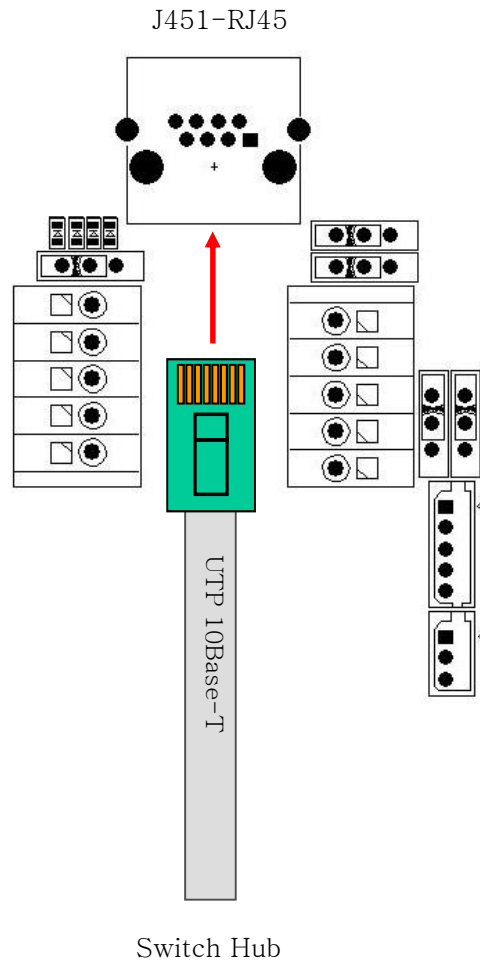


Wiegand Cable (5P)

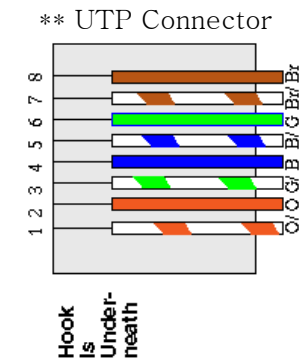
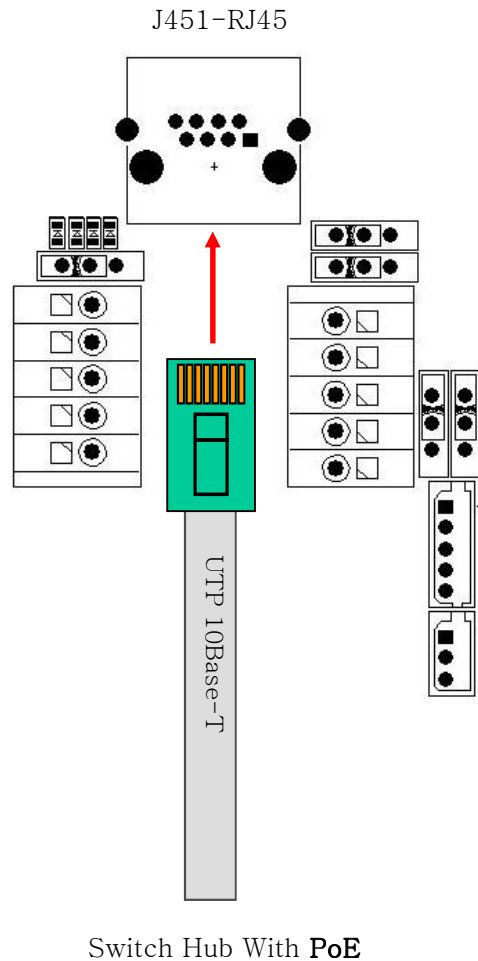


RS232 Cable (3P)

2-1. Connecting Ethernet (LAN) Cable

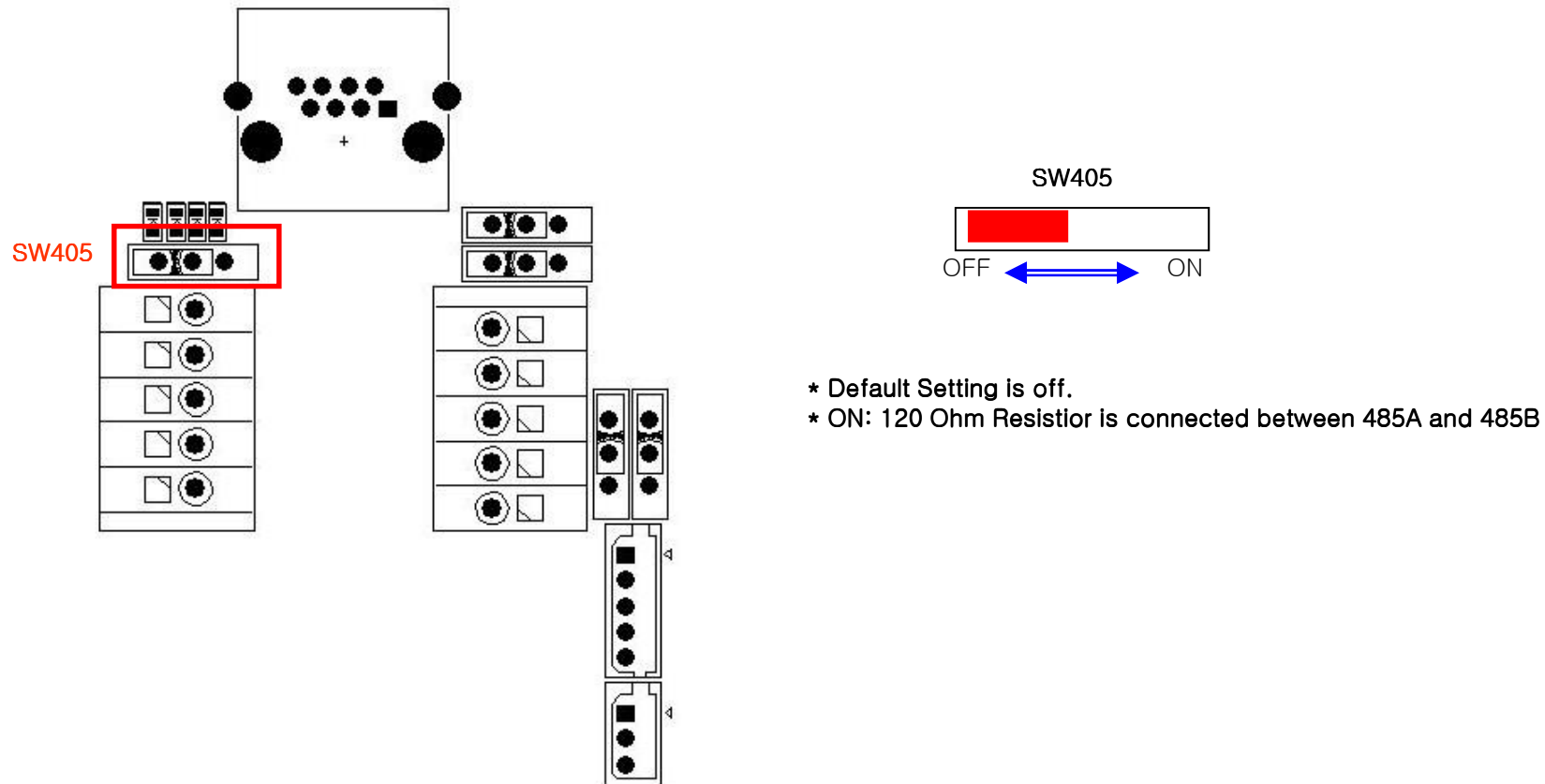


2-2. Connecting Ethernet (LAN) Cable For PoE



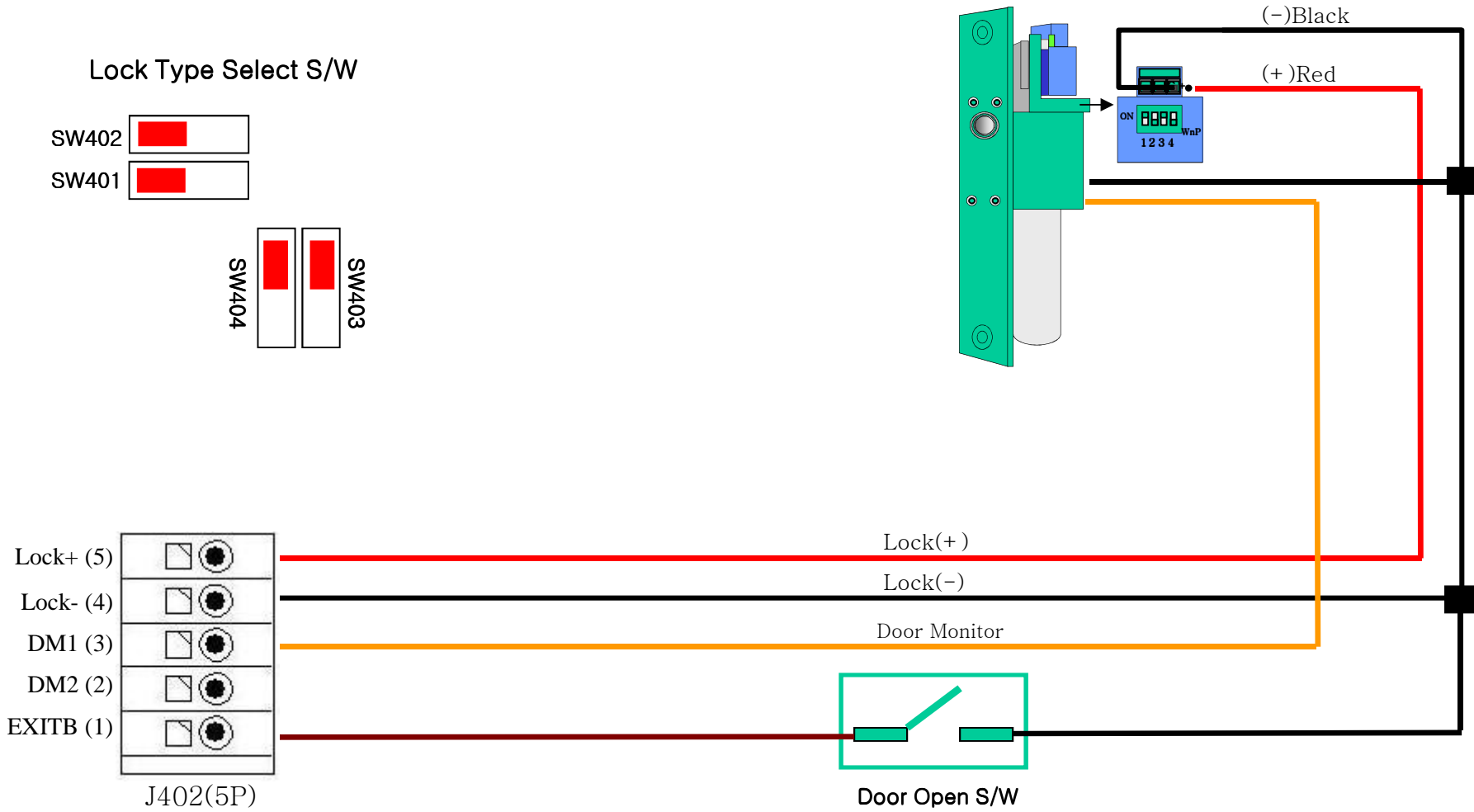
- When using PoE, can't connect an electric lock together.
- When connects an electric lock, you must use the 12v power adapter.
- But you can only use PoE at 7.3, 8.1, 8.2 & 11 Type (no powered contact)

3. Setting the Resistor of RS485 Ended Termination



4. Connecting Dead-Bolt Type Door Lock (Fail Safe)

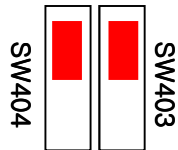
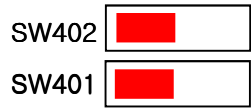
4.1. Connect with One System/ One Lock



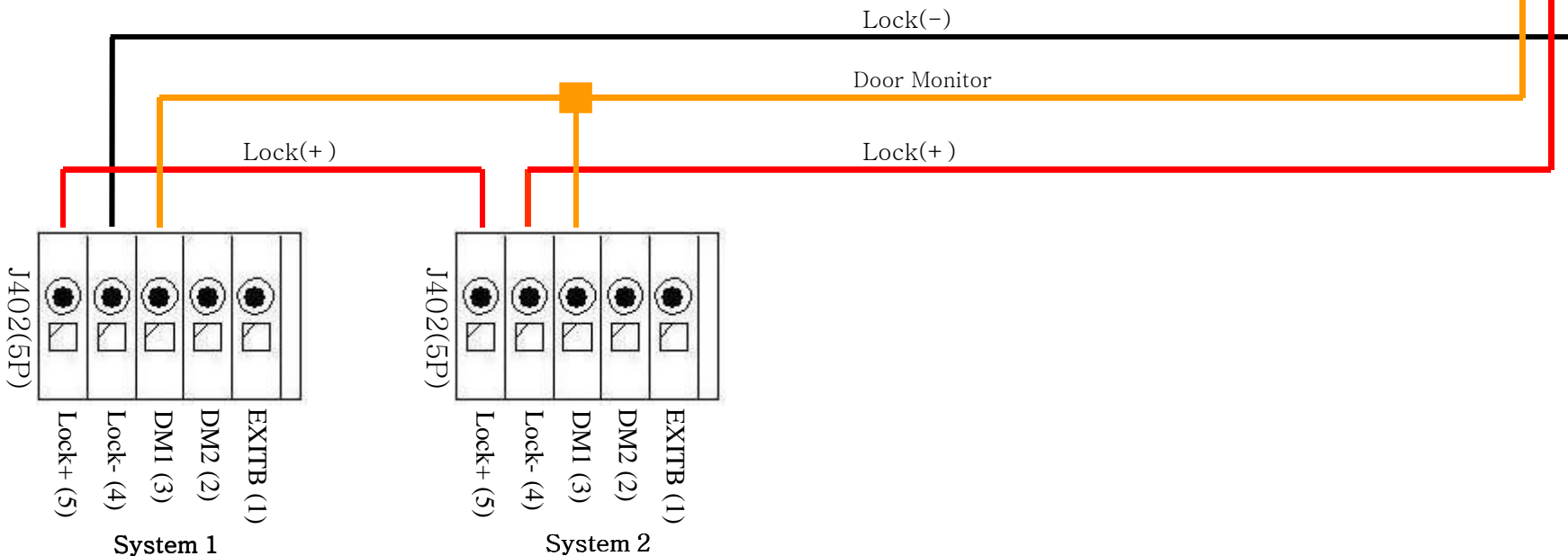
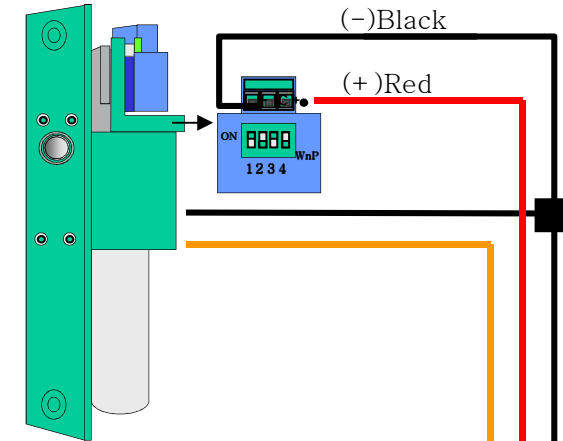
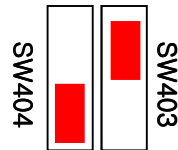
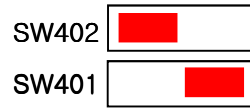
4. Connecting Dead-Bolt Type Door Lock (Fail Safe)

4.2. Connect with Two Systems/ One Lock

System 1
Lock Type Select S/W

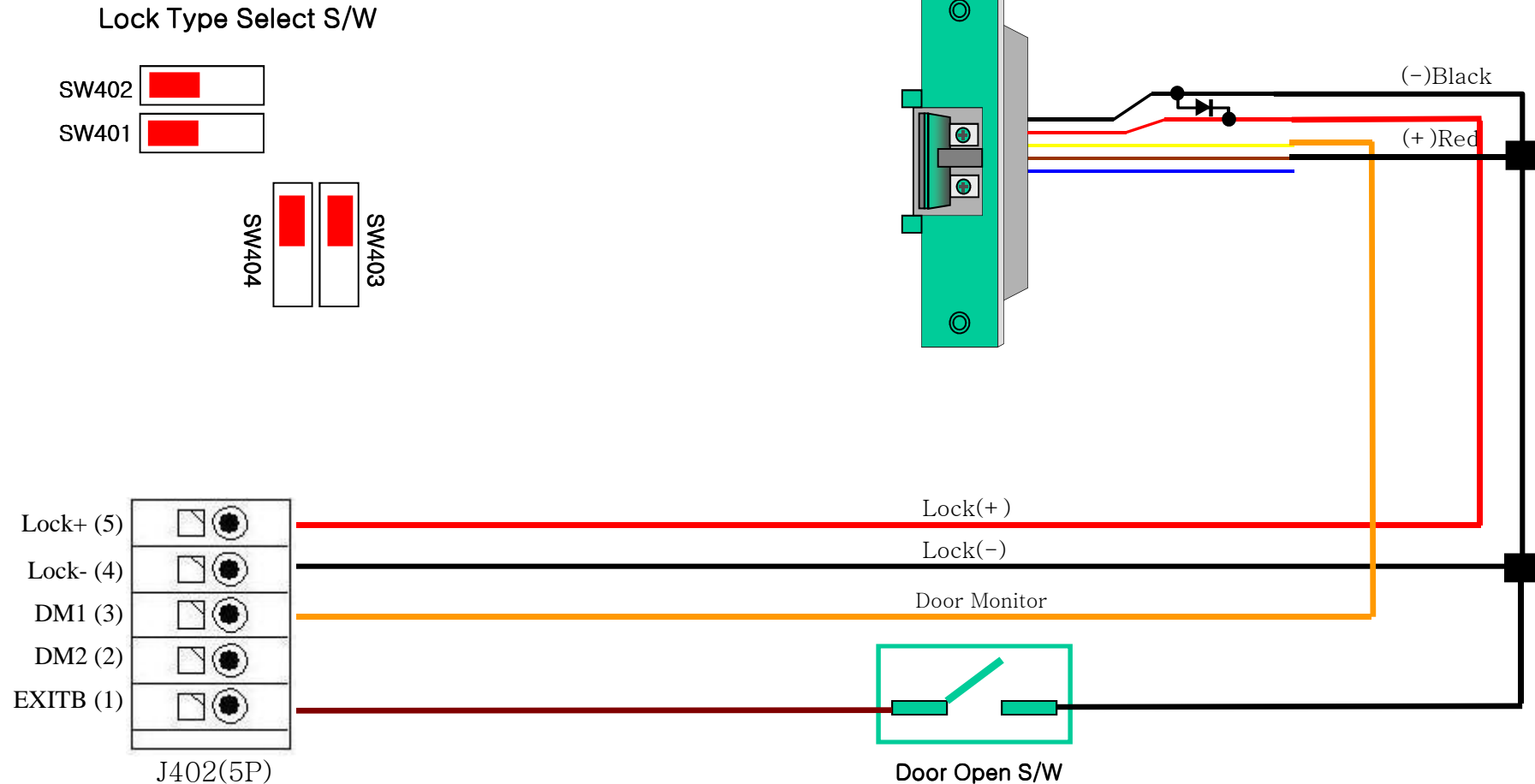


System 2
Lock Type Select S/W



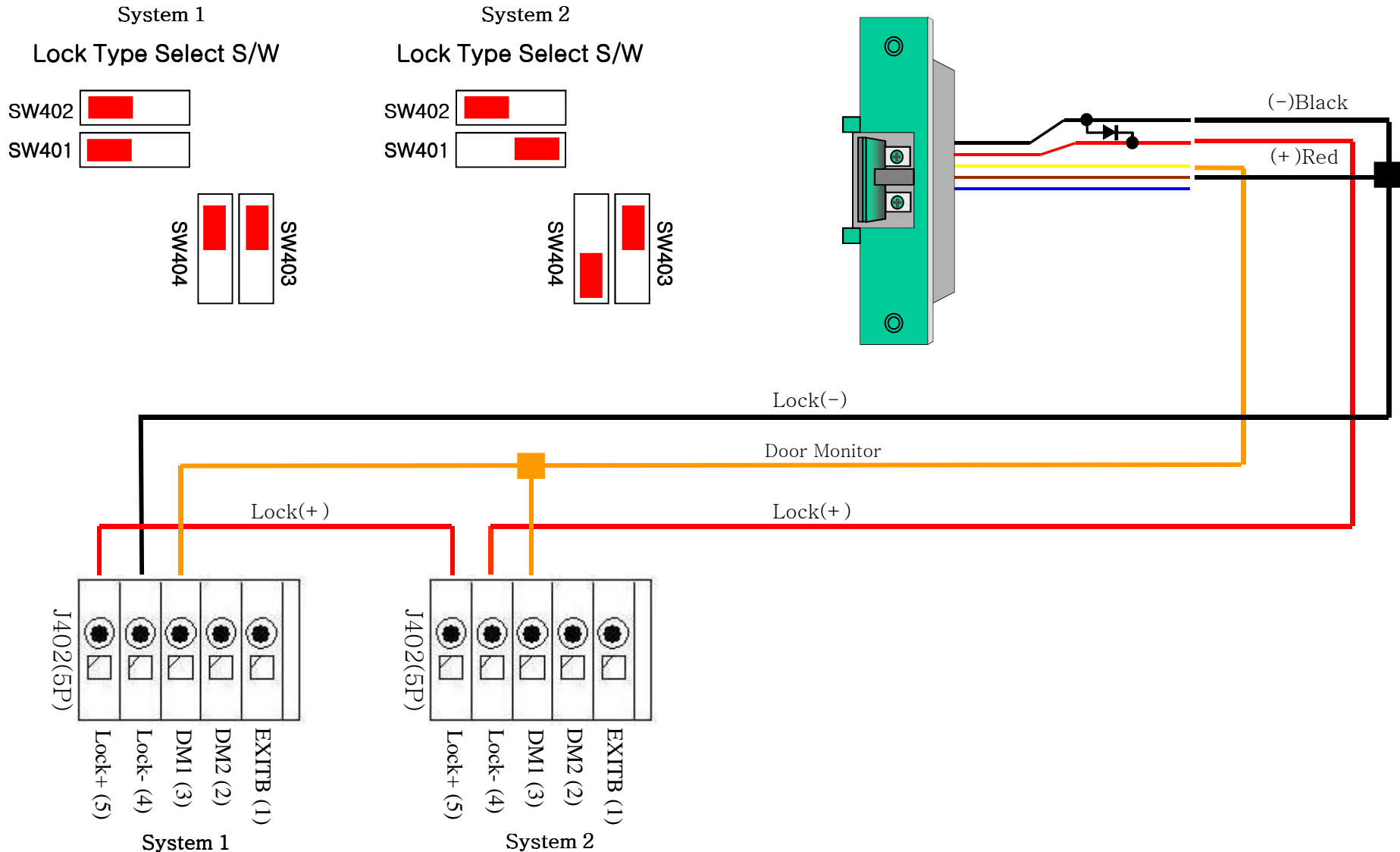
5. Connecting Strike Type Door Lock (Fail Safe)

5.1. Connect with One system/ One Lock



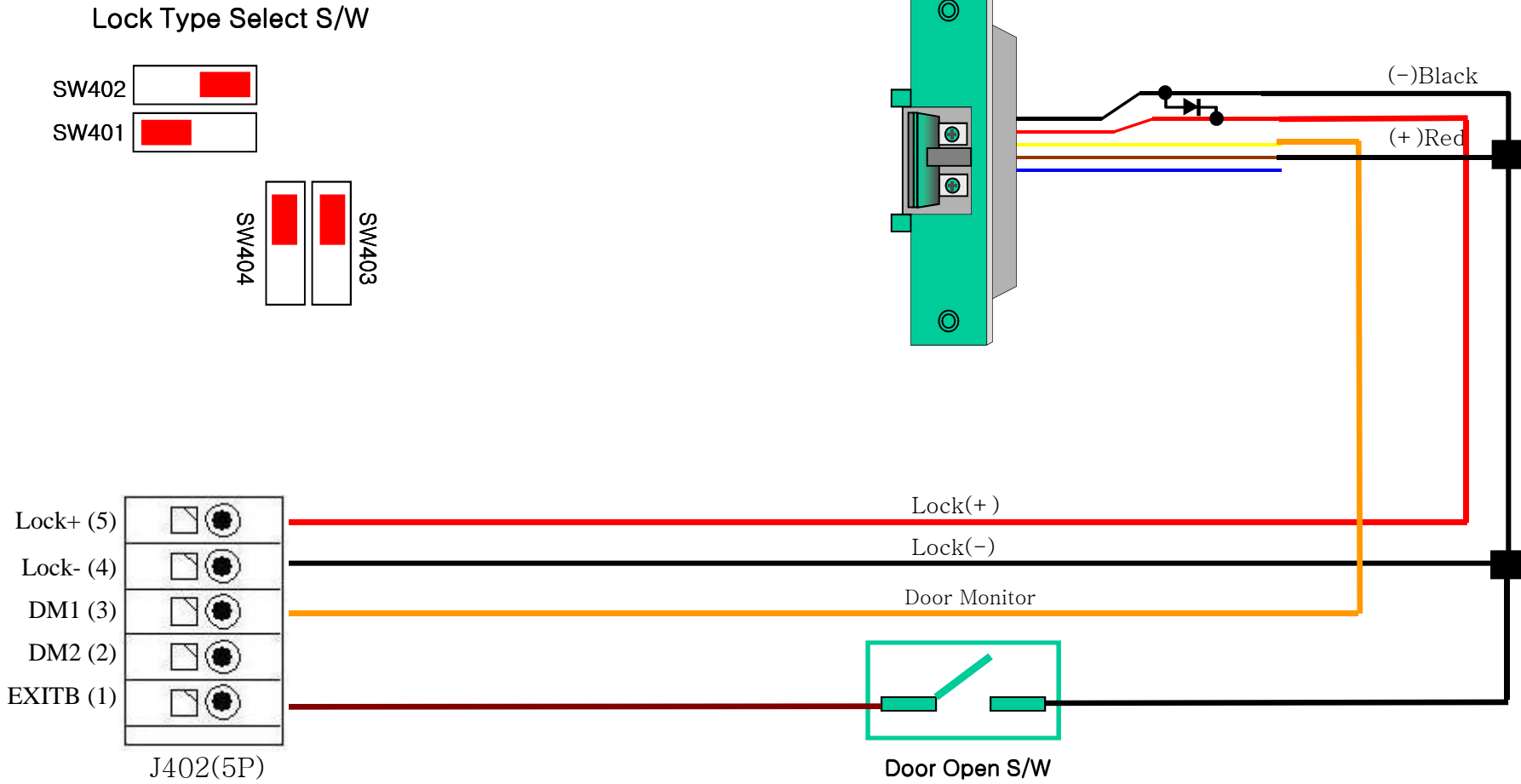
5. Connecting Strike Type Door Lock (Fail Safe)

5.2. Connect with Two systems/ One Lock



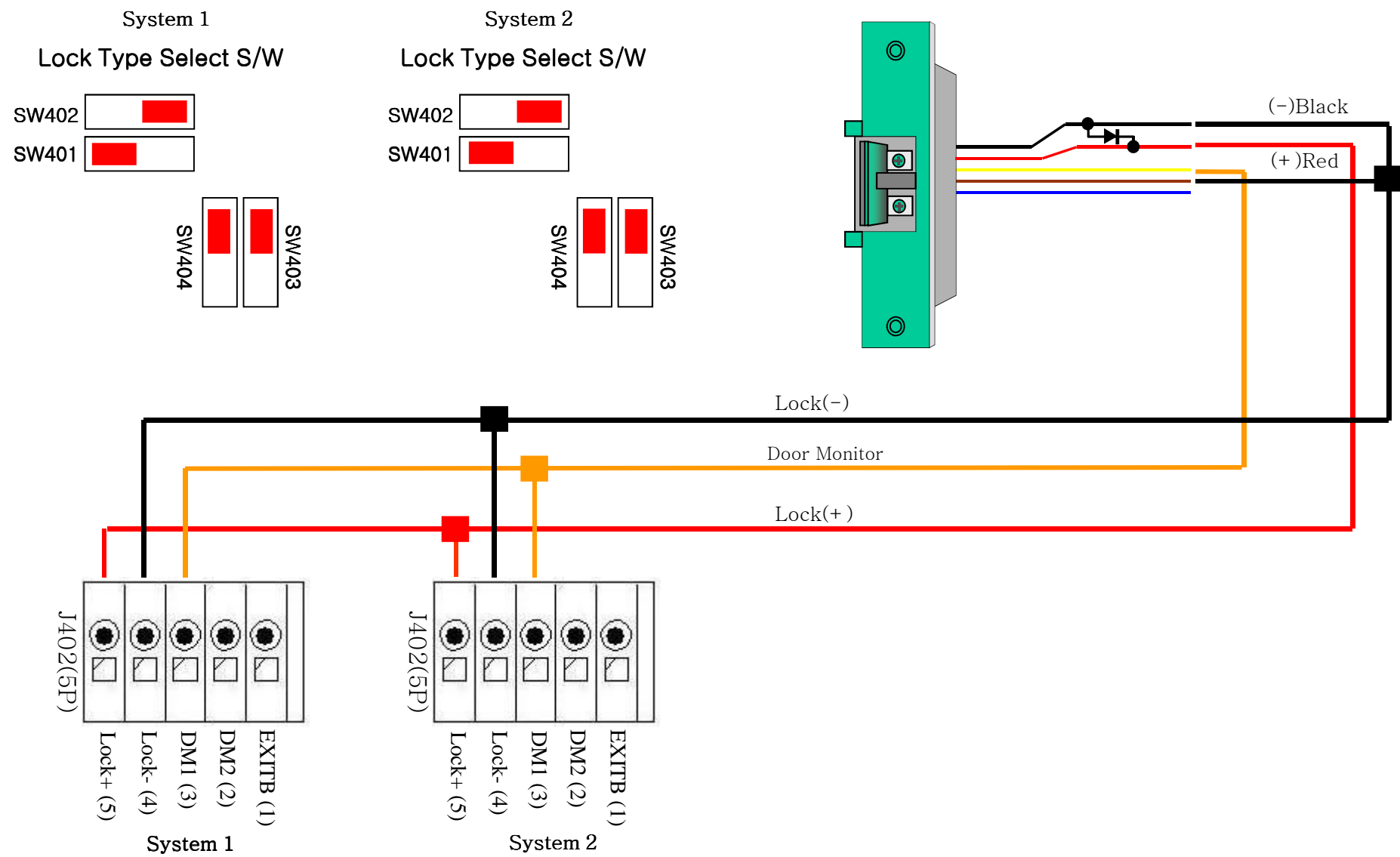
6. Connecting Strike Type Door Lock (Fail Secure)

6.1. Connect with One system/ One Lock



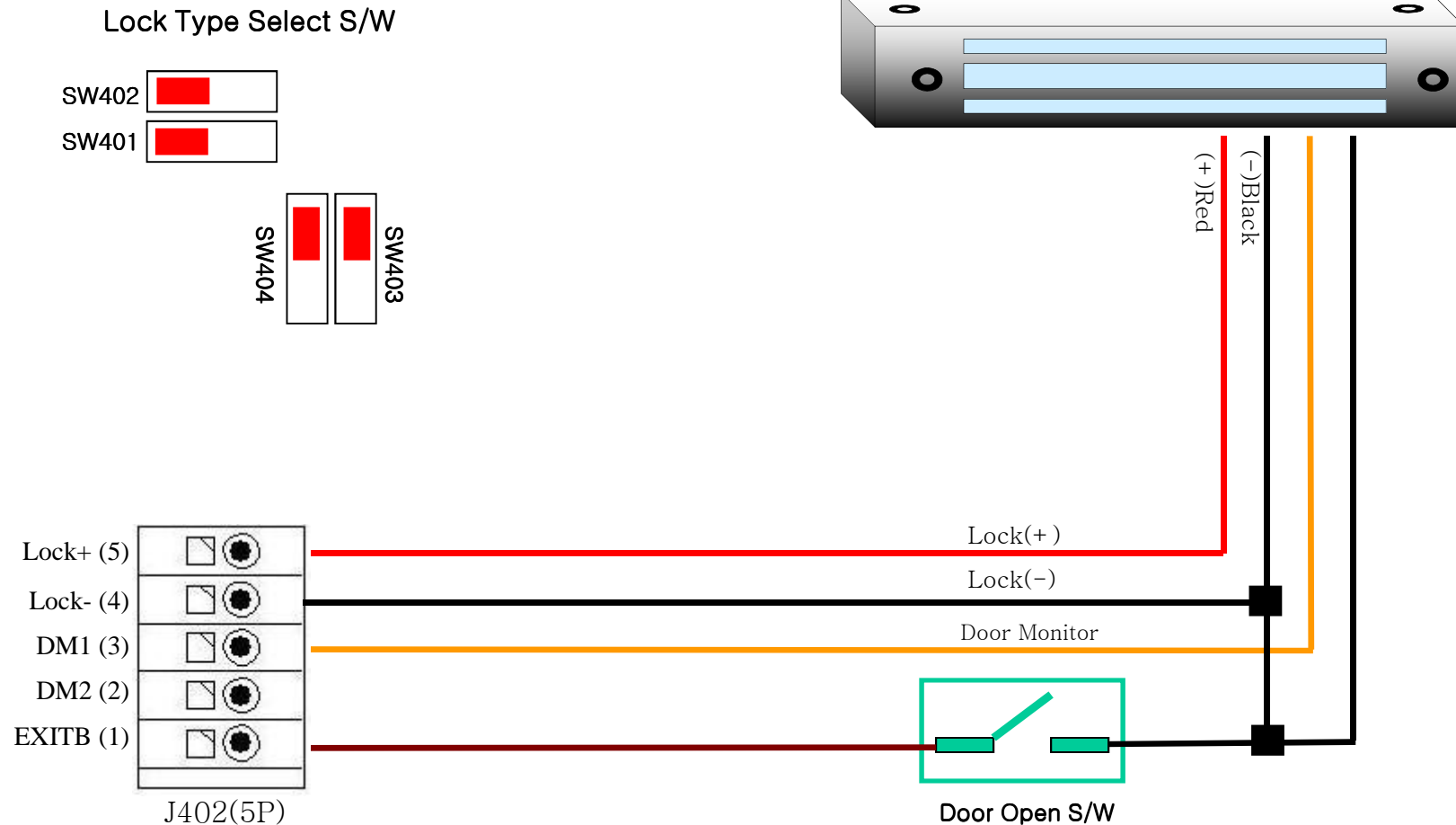
6. Connecting Strike Type Door Lock (Fail Secure)

6.2. Connect with Two systems/ One Lock



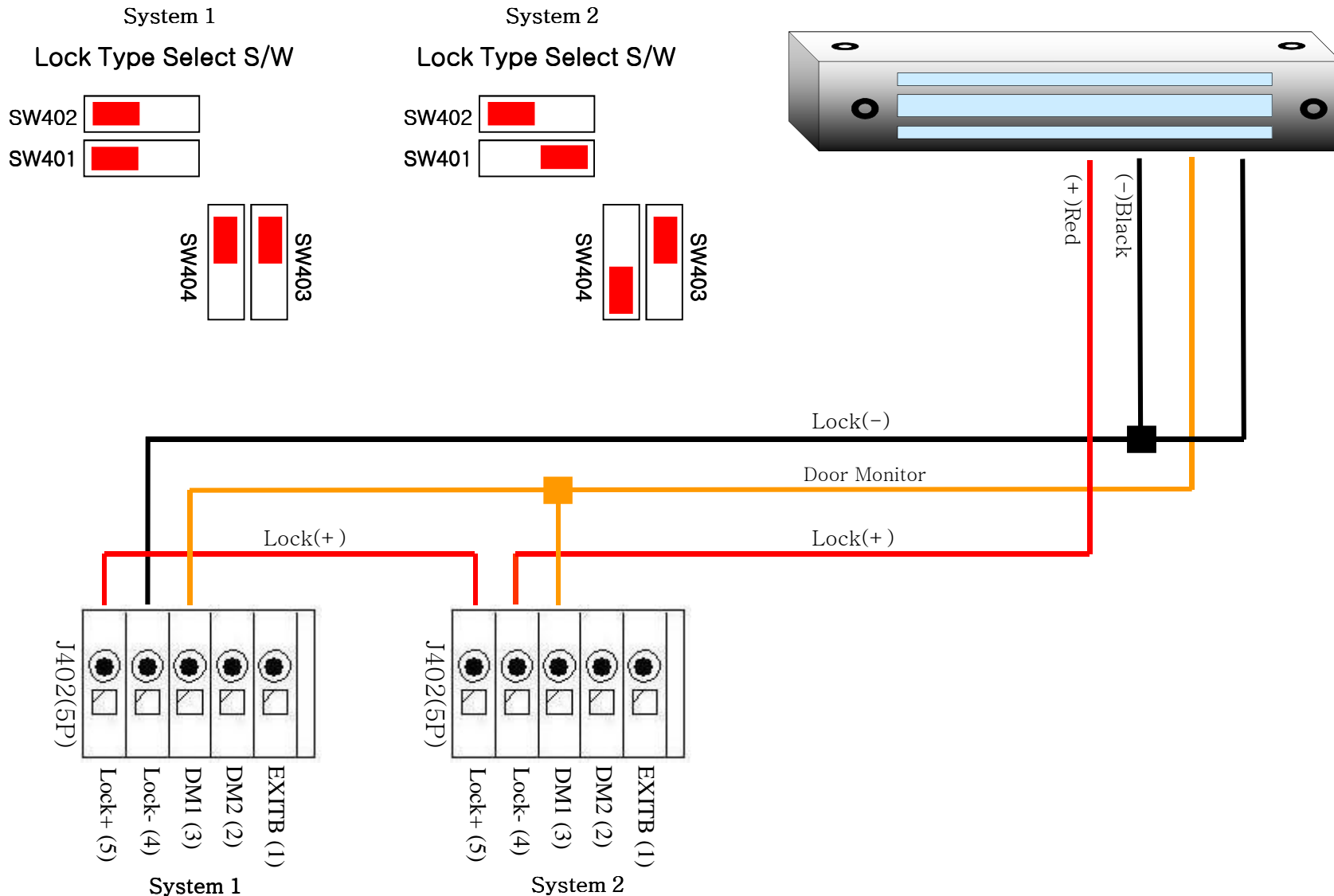
7. Connecting EM Type Door Lock (Fail Safe)

7.1. Connect with One system/ One Lock



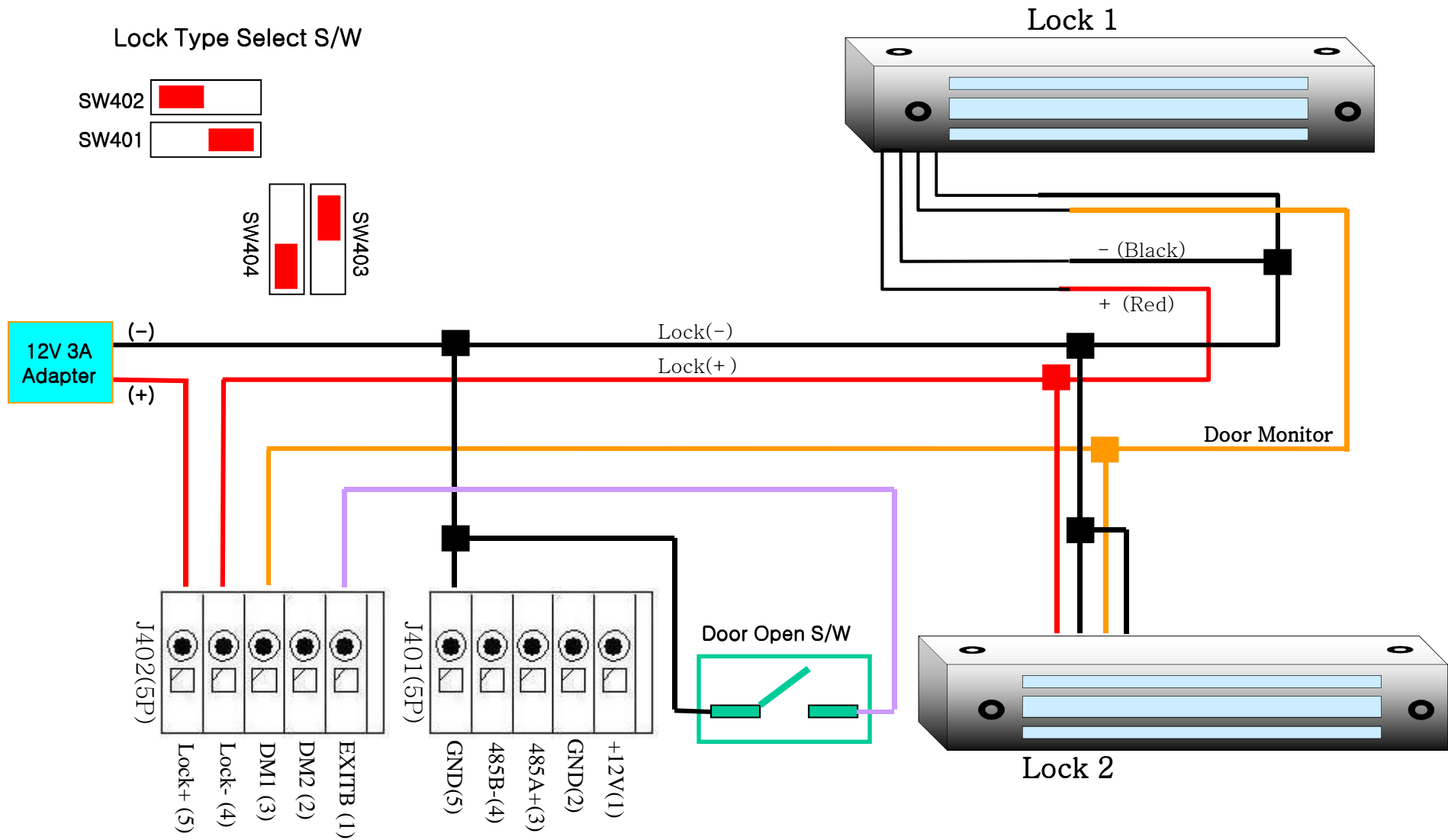
7. Connecting EM Type Door Lock(Fail Safe)

7.2. Connect with Two System/ One Lock



7. Connecting EM Type Door Lock (Fail Safe)

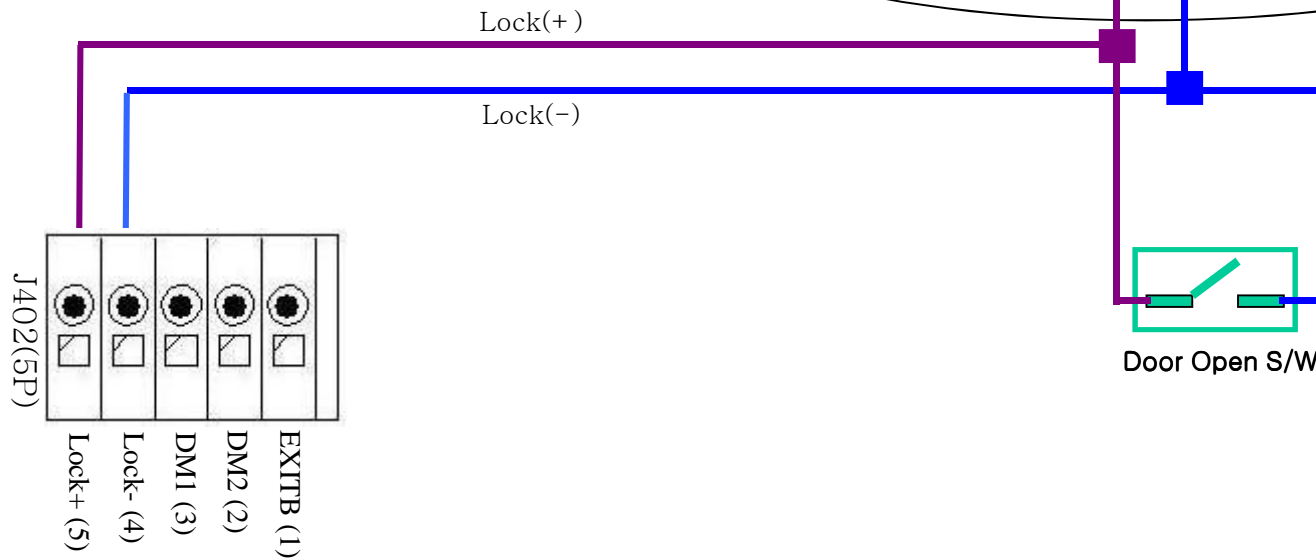
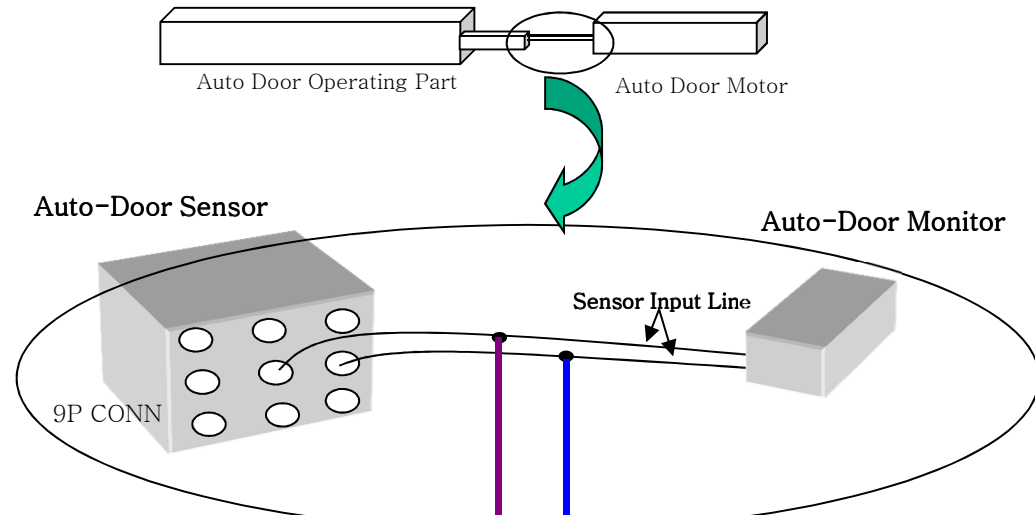
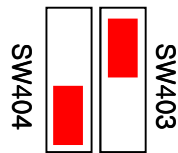
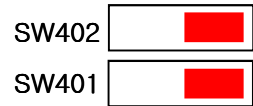
7.3. Connect with One system/ Two Locks ** Use external DC Power adapter



8. Connecting Auto-Door (Contact Control)

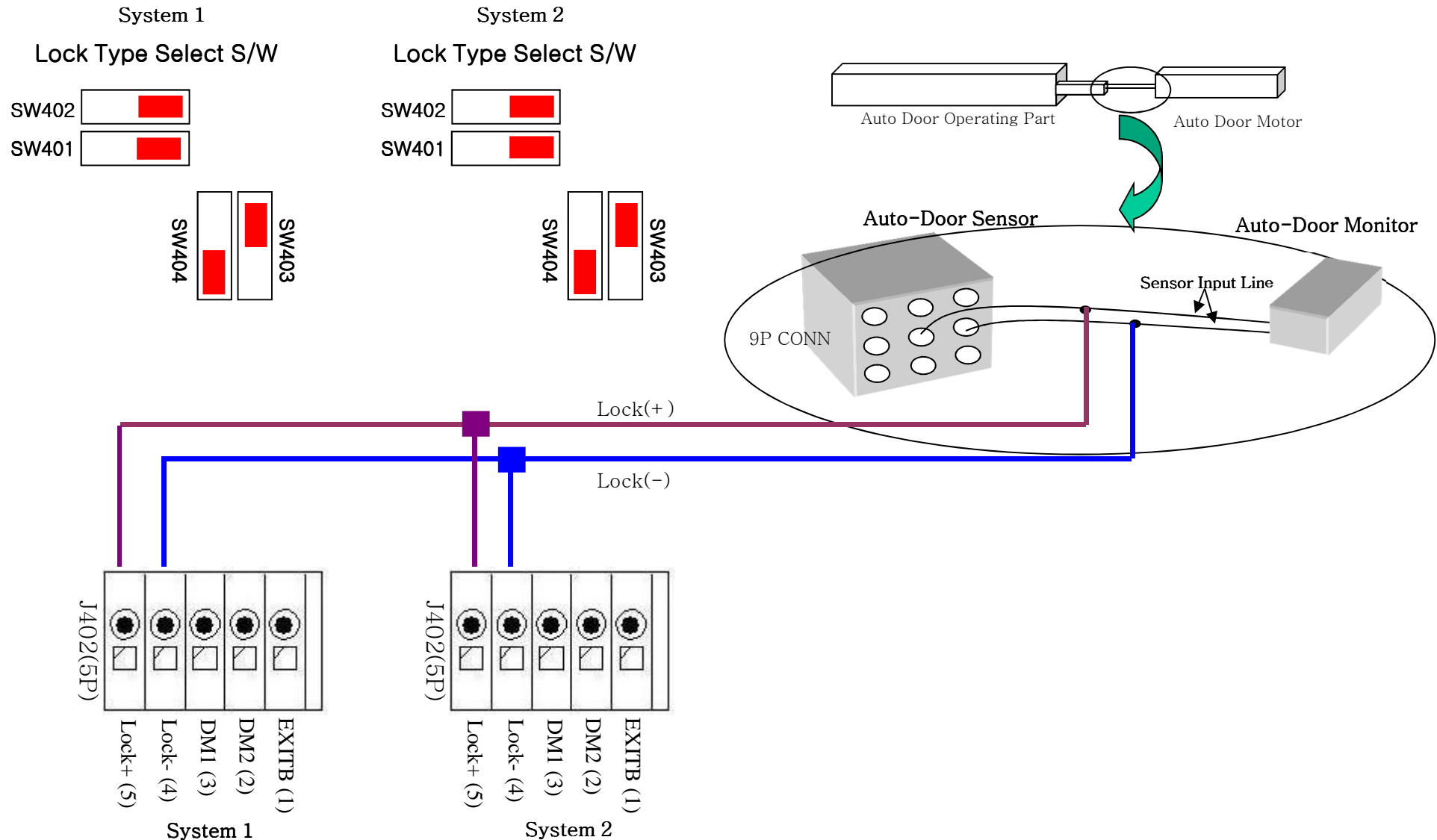
8.1. Connect with One system/ One Door

Lock Type Select S/W



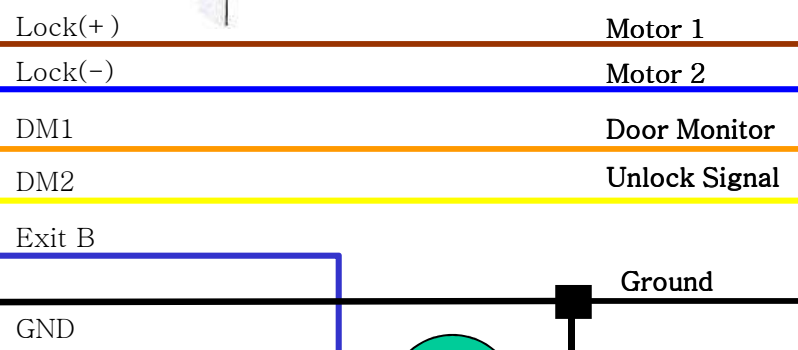
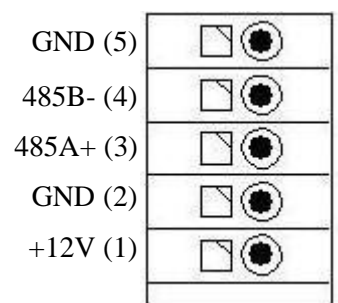
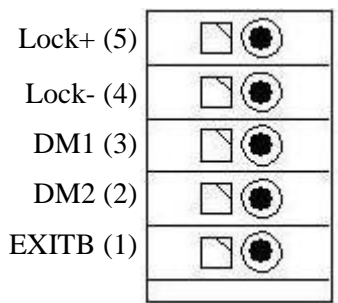
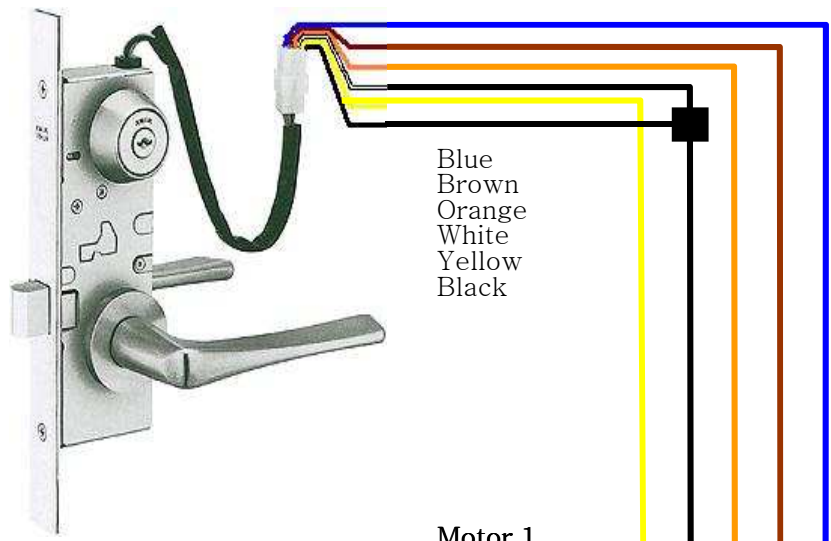
8. Connecting Auto-Door (Contact Control)

8.2. Connect with Two systems/ One Door



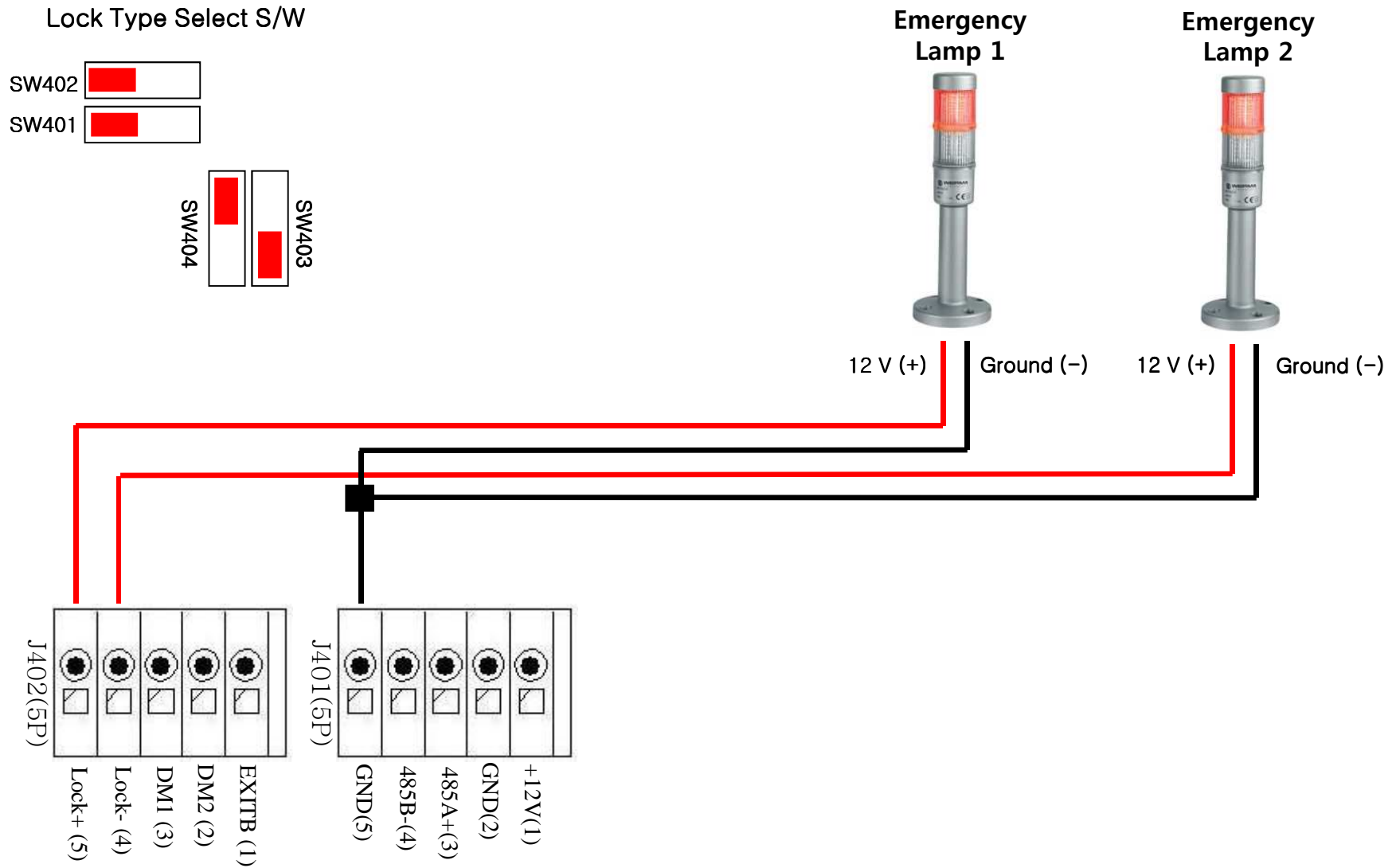
9. Connecting Motor Lock

Lock Type Select S/W



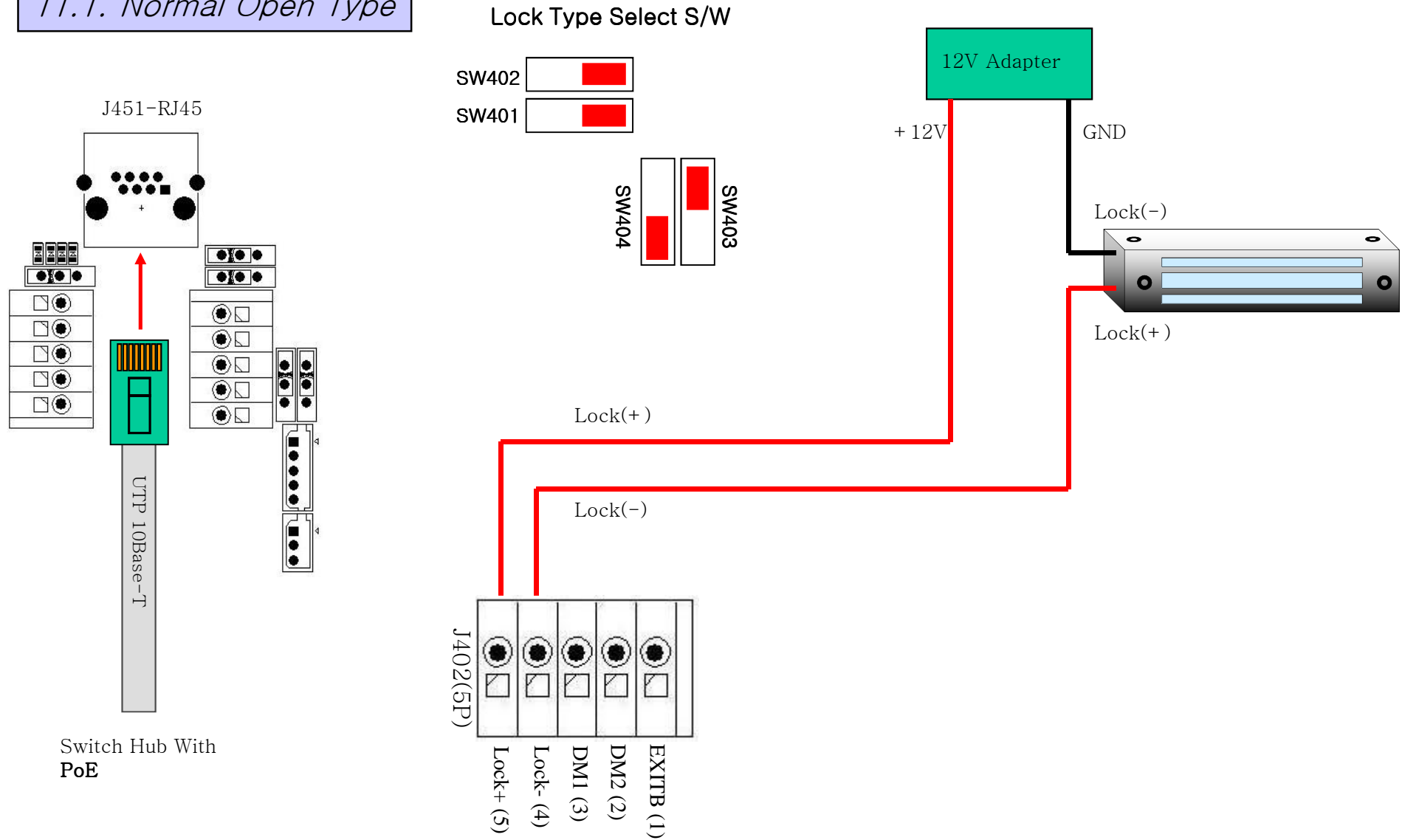
Blue
Brown
Orange
White
Yellow
Black

10. Connecting 2 Emergency Lamps



11. Connecting Electronic Lock With PoE

11.1. Normal Open Type



11. Connecting Electronic Lock With PoE

11.2. Normal Close Type

