

Installation Guide for UBio-X Pro & Pro Lite V1.0

Face Recognition Terminal



Doc Ver1.1
June.,25.2019
R&D Center
Union Community Co., Ltd.

1. The maximum cable length & thickness for installation

1) Using 15V 4A Power Supply & AWG24



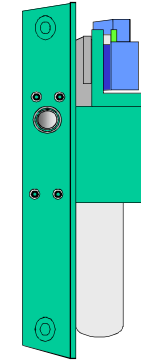
15V 4A Adapter

AWG24 20m



UBio-X Lite & Pro

AWG24 10m



Dead-Bolt
BEHOST BHL-700C
(Standby:0.15A, Start:0.9A)

2) Using 15V 4A Power Supply & AWG22



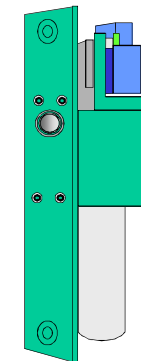
15V 4A Adapter

AWG22 30m



UBio-X Lite & Pro

AWG22 10m



Dead-Bolt
BEHOST BHL-700C
(Standby:0.15A, Start:0.9A)

* Caution: The above data are the measured values when using the adapters and the dead-bolts provided by the Union Community.

1. The maximum cable length & thickness for installation

1) Using 15V 4A Power Supply & AWG20



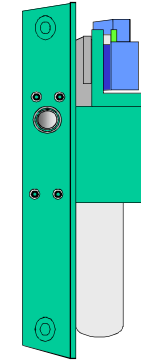
15V 4A Adapter

AWG20 50m



UBio-X Lite & Pro

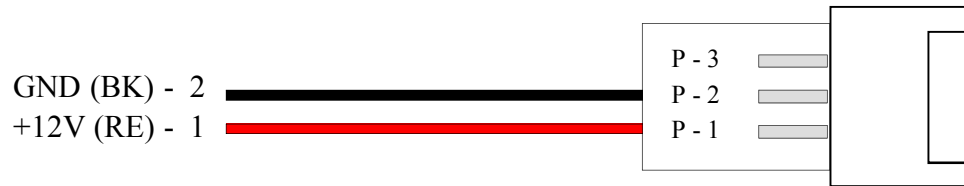
AWG20 10m



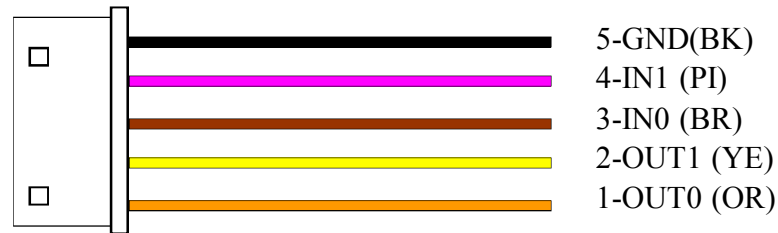
Dead-Bolt
BEHOST BHL-700C
(Standby:0.15A, Start:0.9A)

* Caution: The above data are the measured values when using the adapters and the dead-bolts provided by the Union Community.

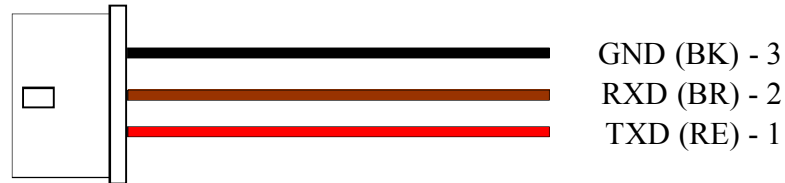
2. Description of External Cables



Power Adapter Cable



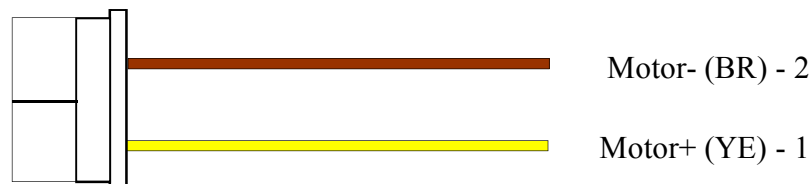
Wiegand Cable (5P)



RS232 Cable (3P)

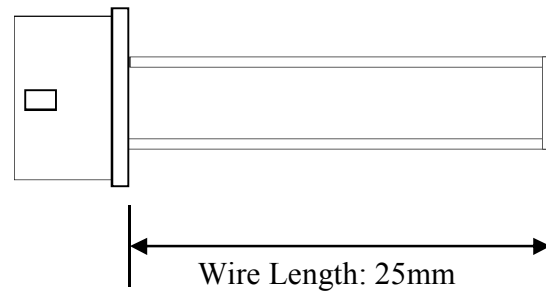


Lock Status Cable (5P)



Motor Lock Cable (2P)

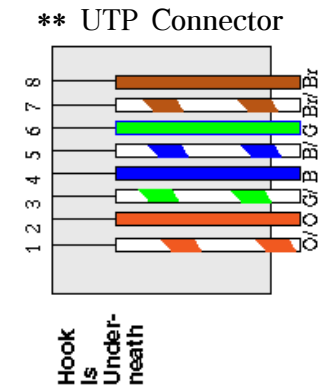
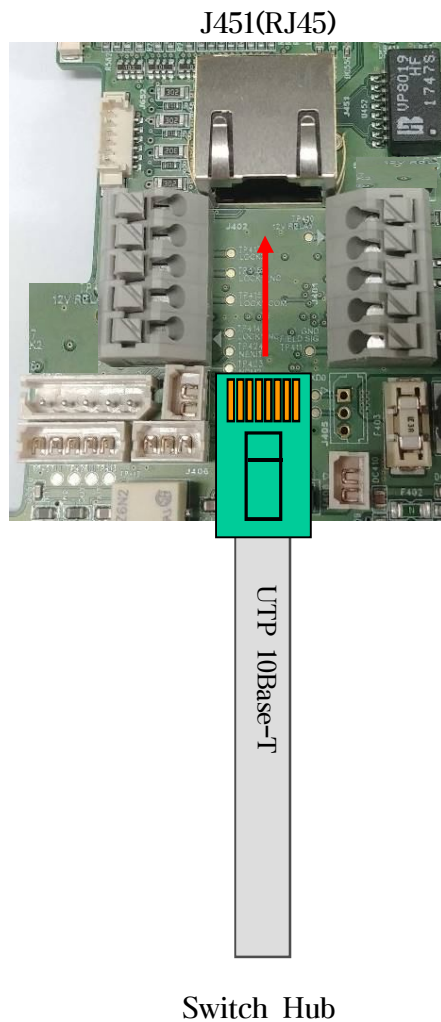
2. Description of External Cables



Lock1 Out(WH) - 2
+12V (WH) - 1

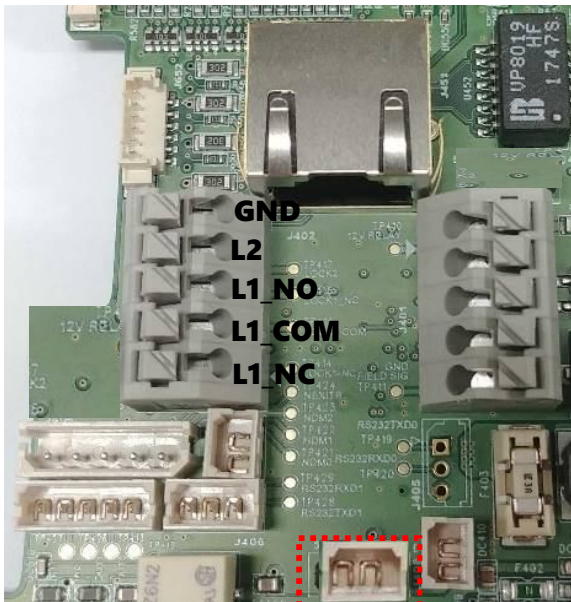
Lock1 Power Cable (2P)

3. Connecting Ethernet (LAN) Cable

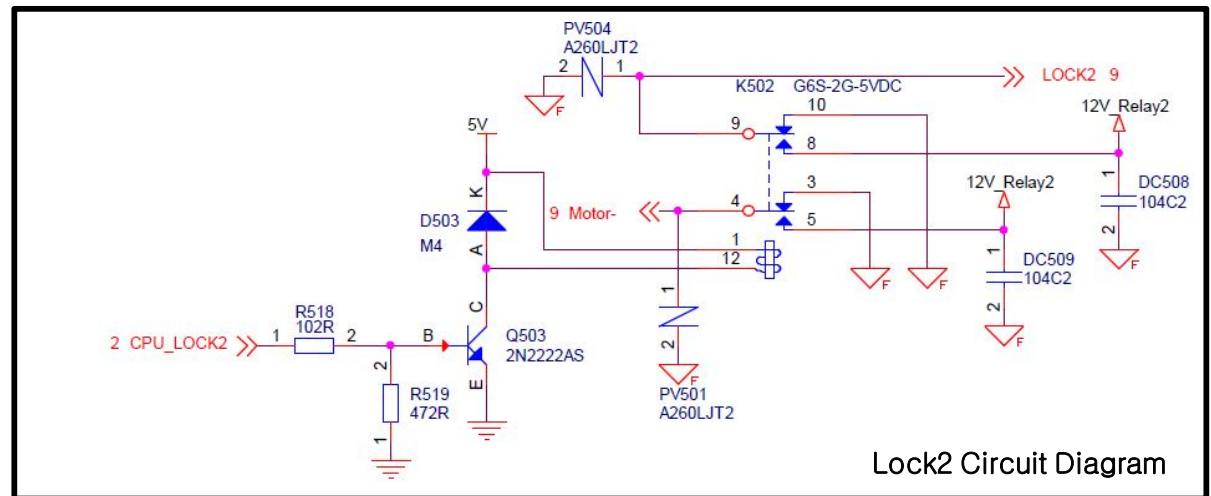
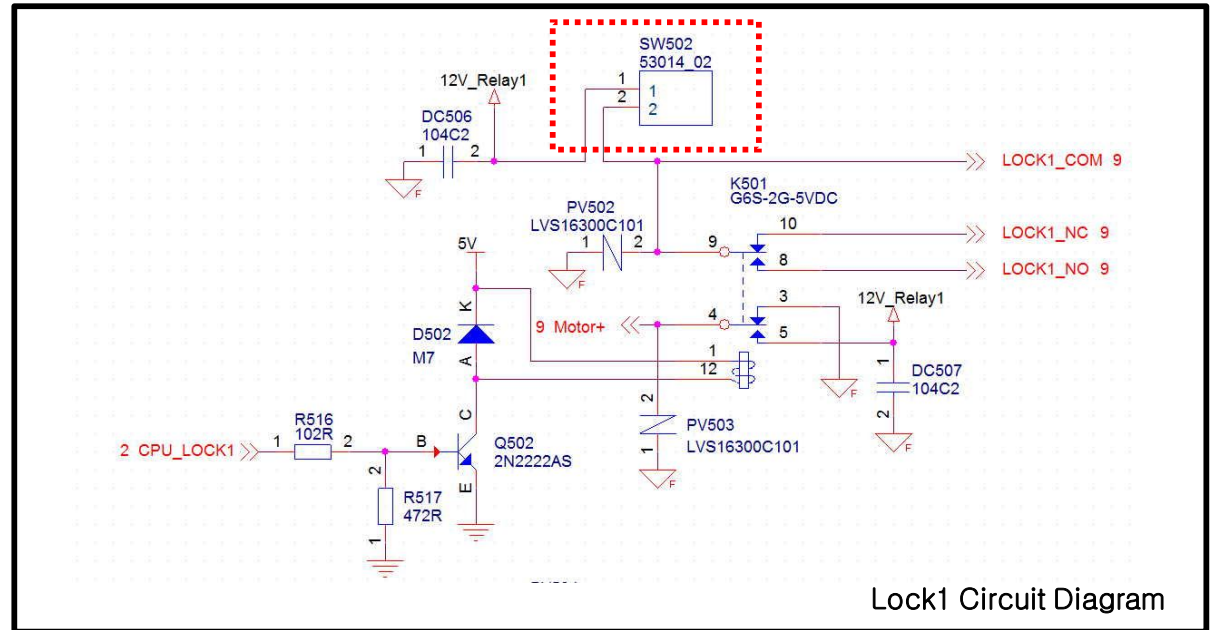


4. Description of the switch for setting lock

SW502
Lock1 Power OFF(Cut) ↔ Lock1 Power ON(Connect)



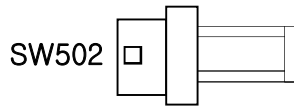
SW502



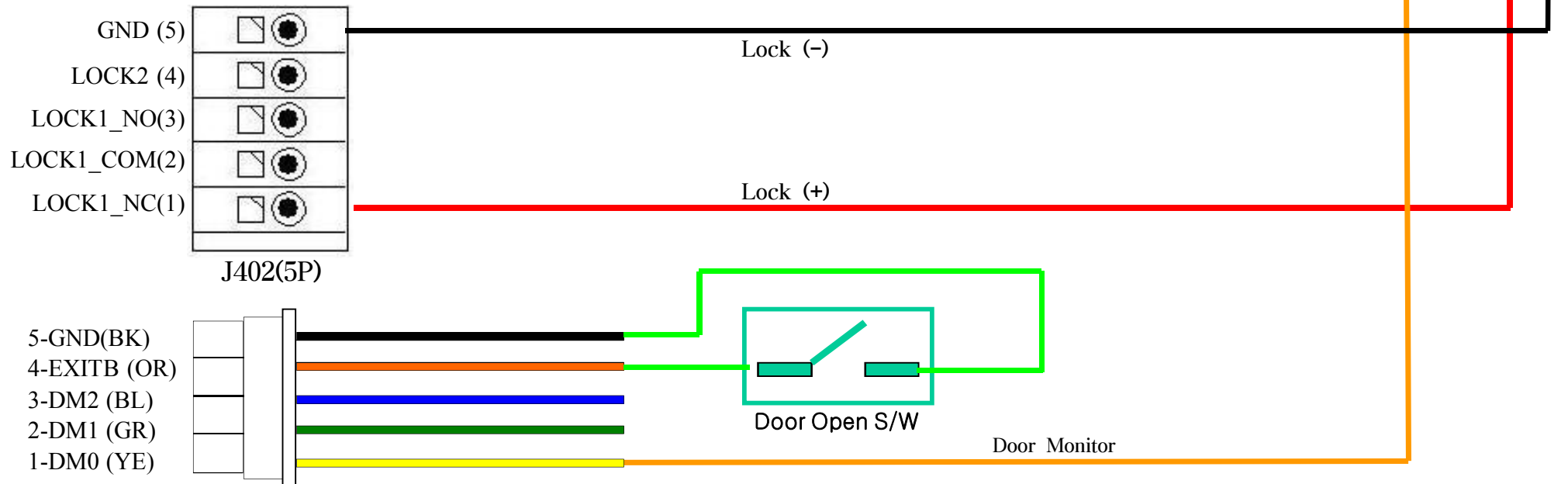
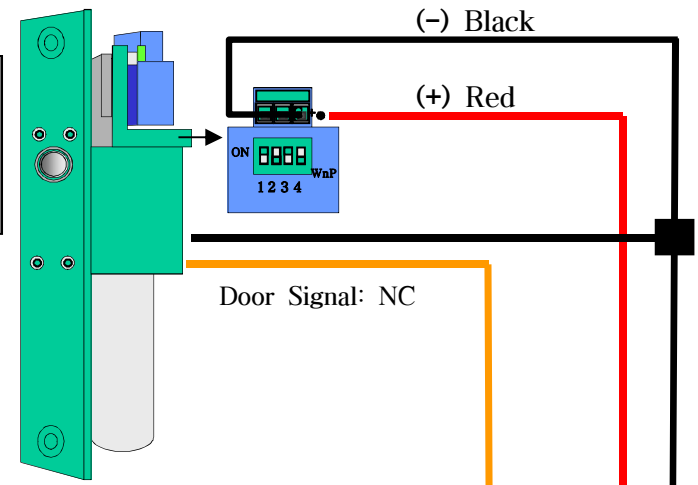
5. Connecting a Dead-Bolt Type Door Lock (Fail Safe)

5.1. Connecting One System/ One Lock

Lock Type Select S/W(P)



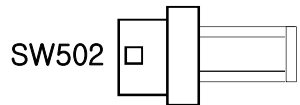
<DB Door Signal>
 Closed: NO-COM, Short
 NC-COM, Open
 Opened: NO-COM, Open
 NC-COM, Short



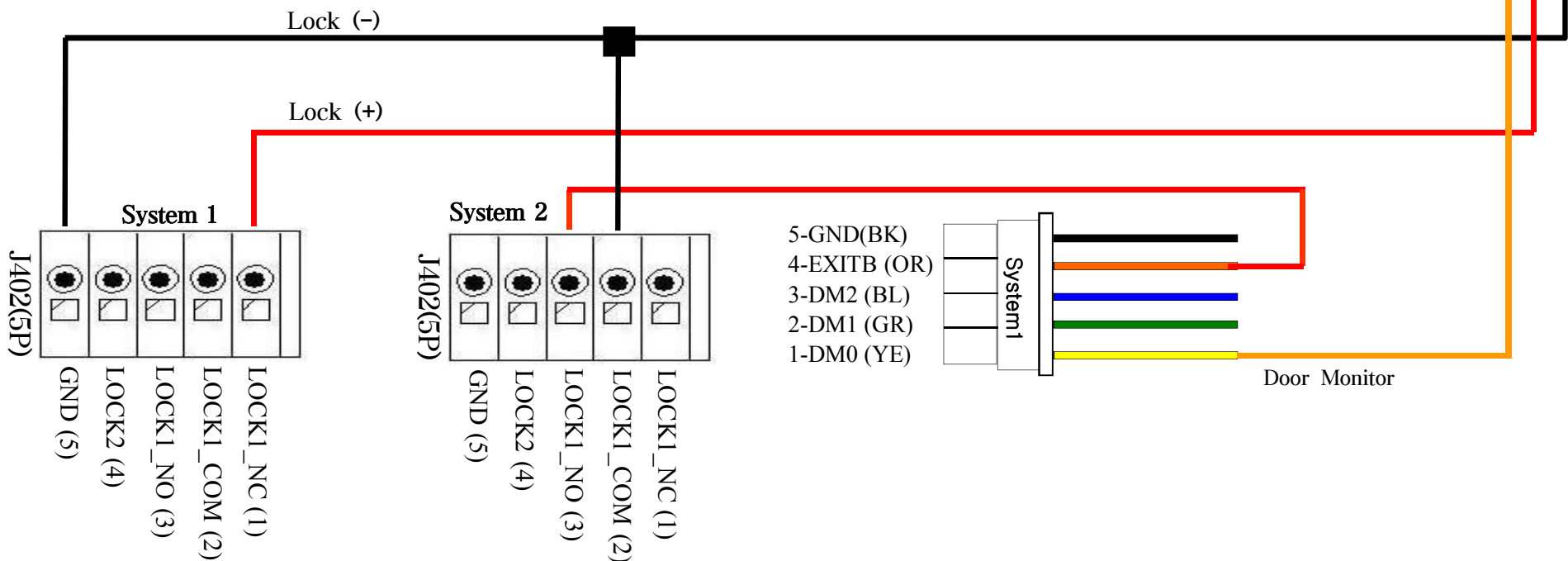
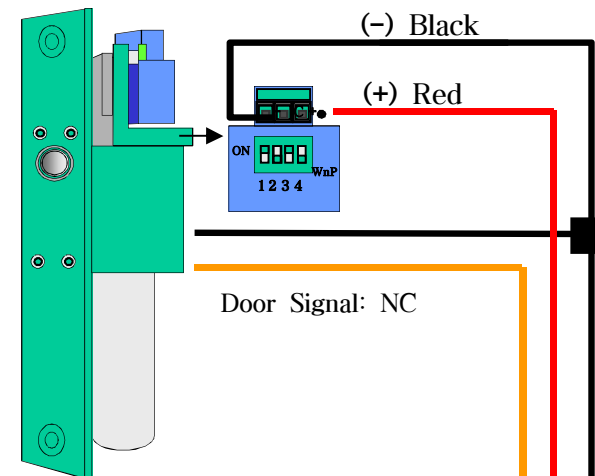
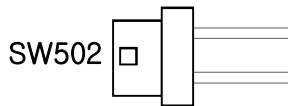
5. Connecting a Dead-Bolt Type Door Lock (Fail Safe)

5.2. Connecting Two Systems/ One Lock

System 1
Lock Type Select S/W(P)



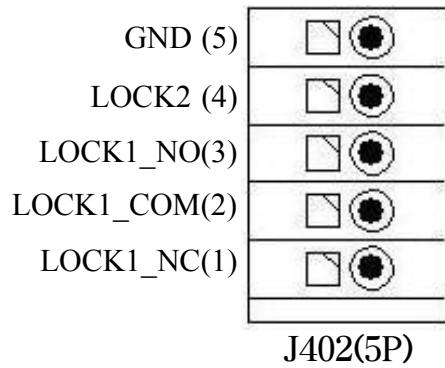
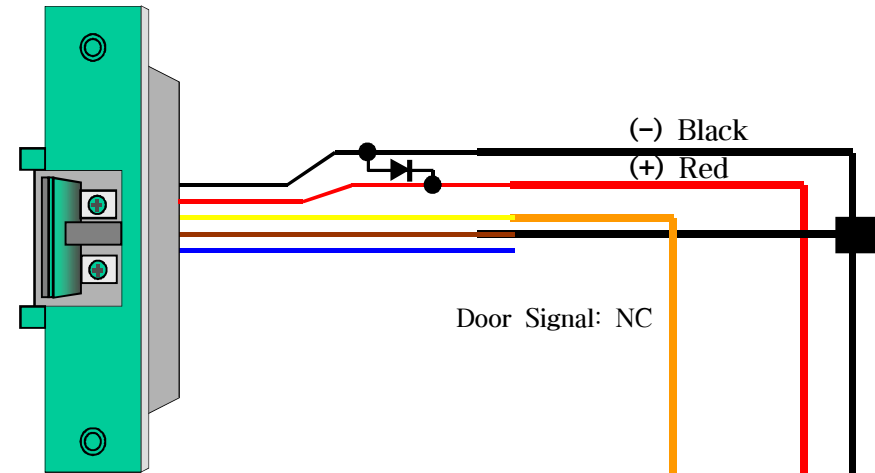
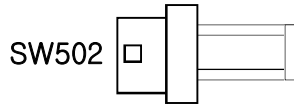
System 2
Lock Type Select S/W(NP)



6. Connecting a Strike Type Door Lock (Fail Safe)

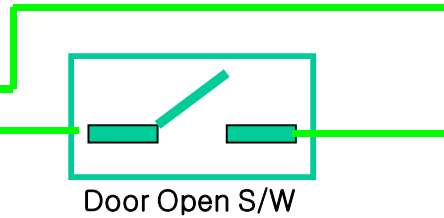
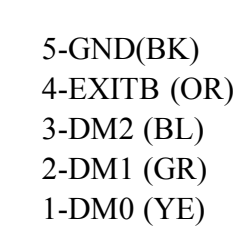
6.1. Connecting One System/ One Lock

Lock Type Select S/W(P)



Lock (-)

Lock (+)

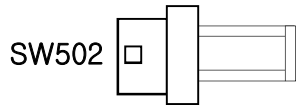


Door Monitor

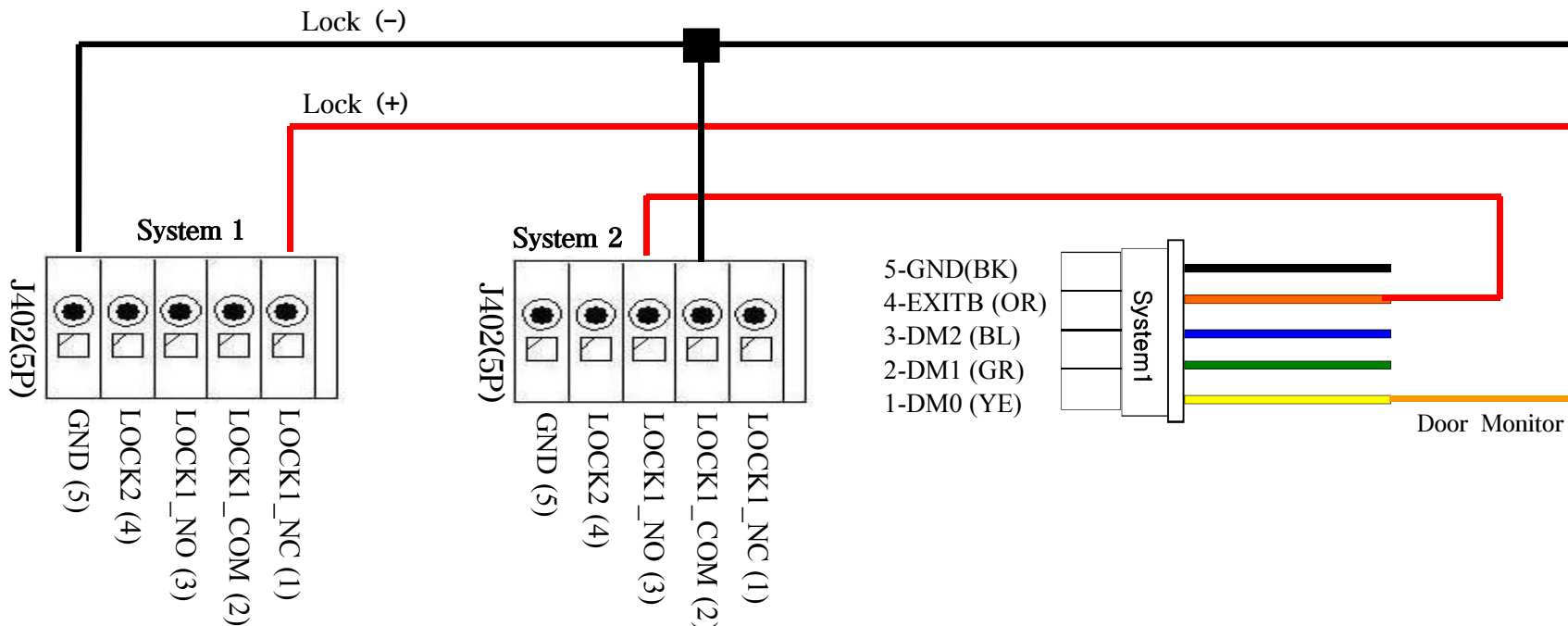
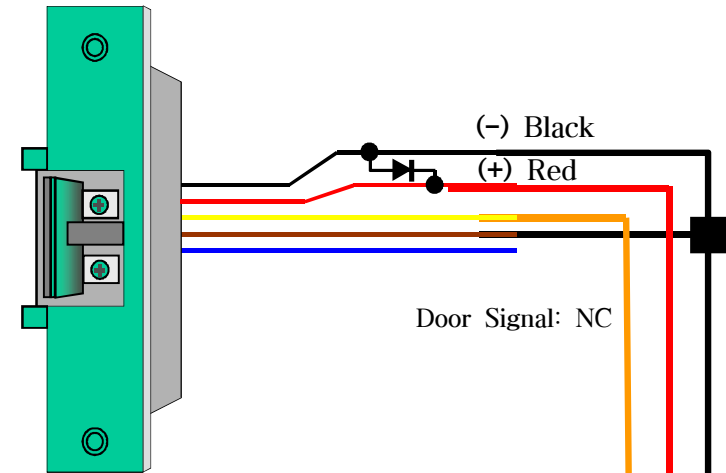
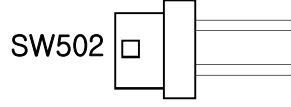
6. Connecting a Strike Type Door Lock (Fail Safe)

6.2. Connecting Two Systems/ One Lock

System 1
Lock Type Select S/W(P)



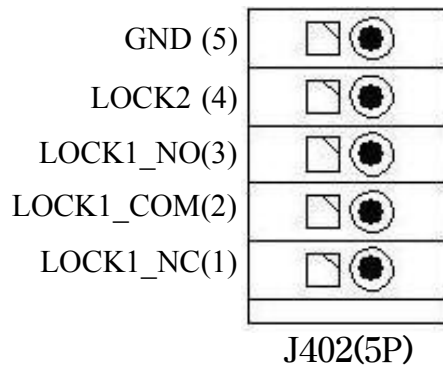
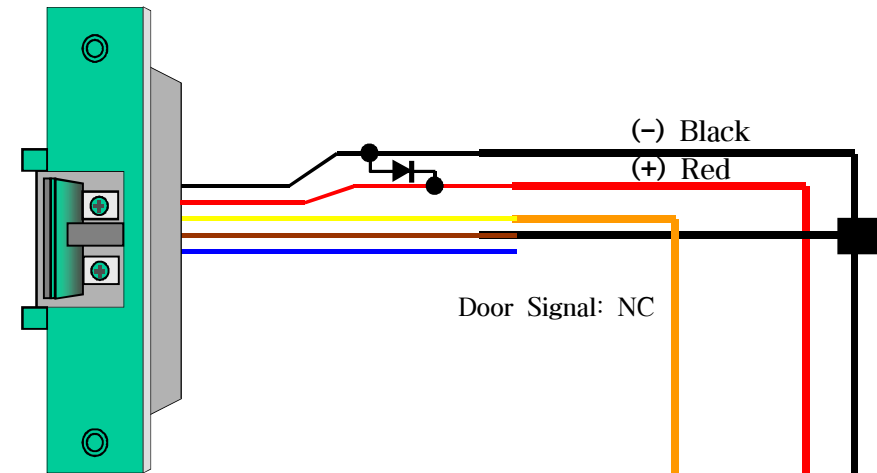
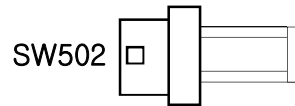
System 2
Lock Type Select S/W(NP)



7. Connecting a Strike Type Door Lock (Fail Secure)

7.1. Connecting One System/ One Lock

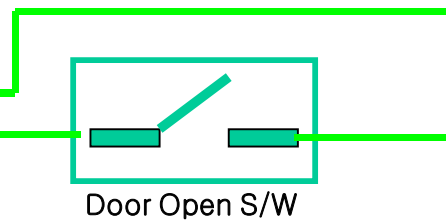
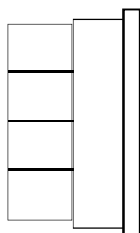
Lock Type Select S/W(P)



Lock (-)

Lock (+)

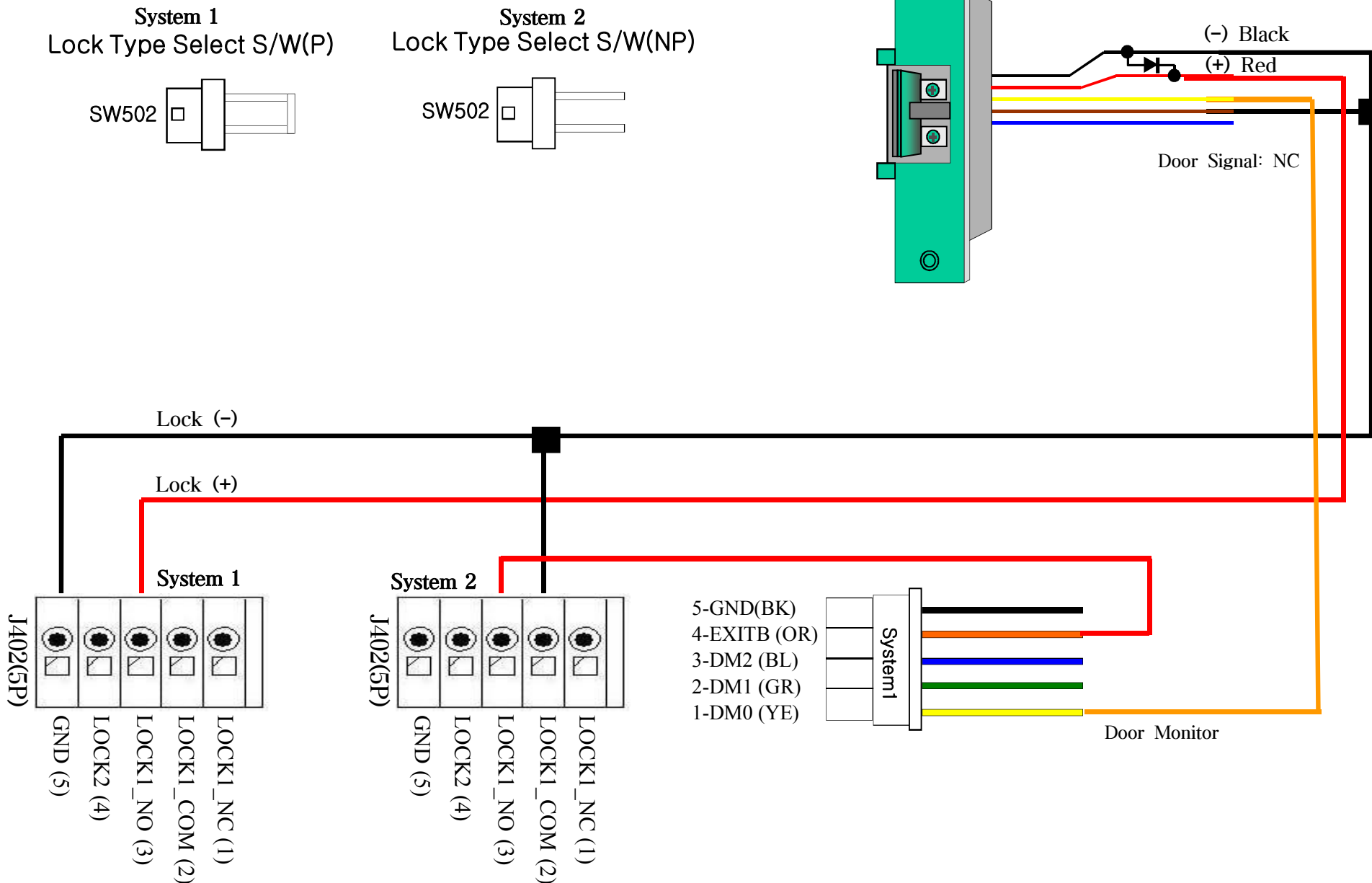
5-GND(BK)
4-EXITB (OR)
3-DM2 (BL)
2-DM1 (GR)
1-DM0 (YE)



Door Monitor

7. Connecting a Strike Type Door Lock (Fail Secure)

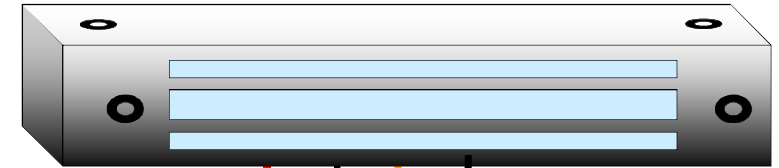
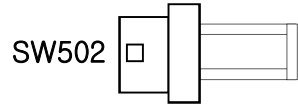
7.2. Connecting Two Systems/ One Lock



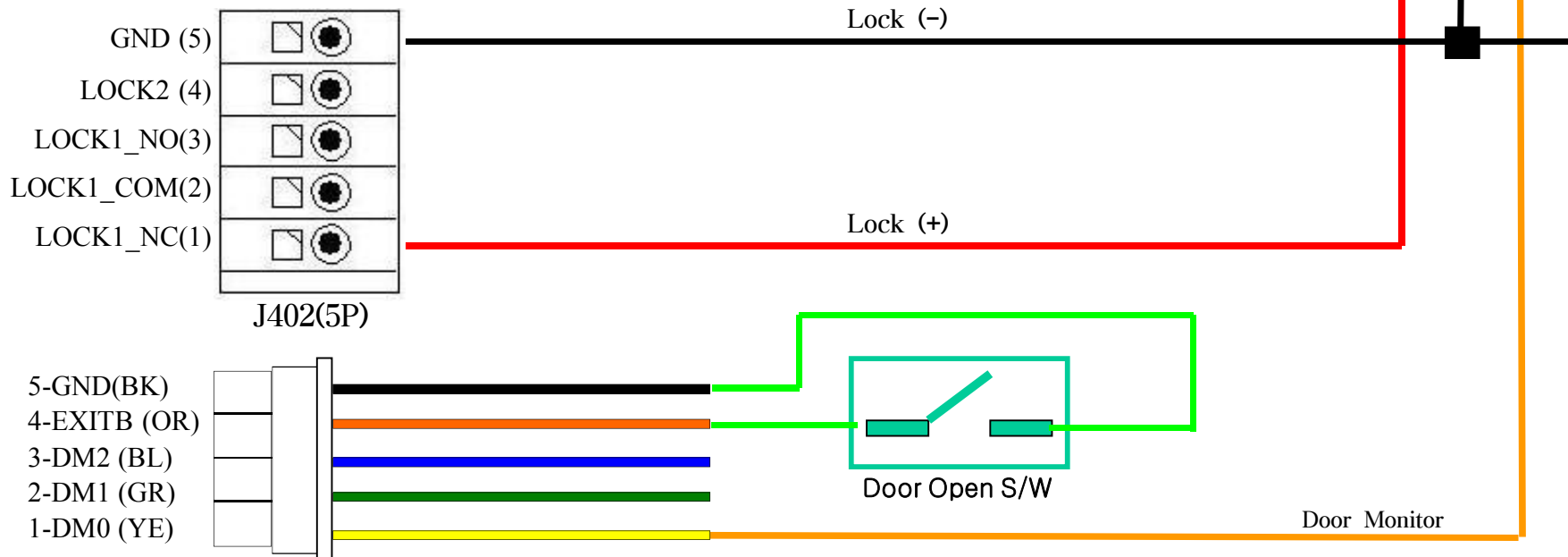
8. Connecting an EM Type Door Lock (Fail Safe)

8.1. Connecting One System/ One Lock

Lock Type Select S/W

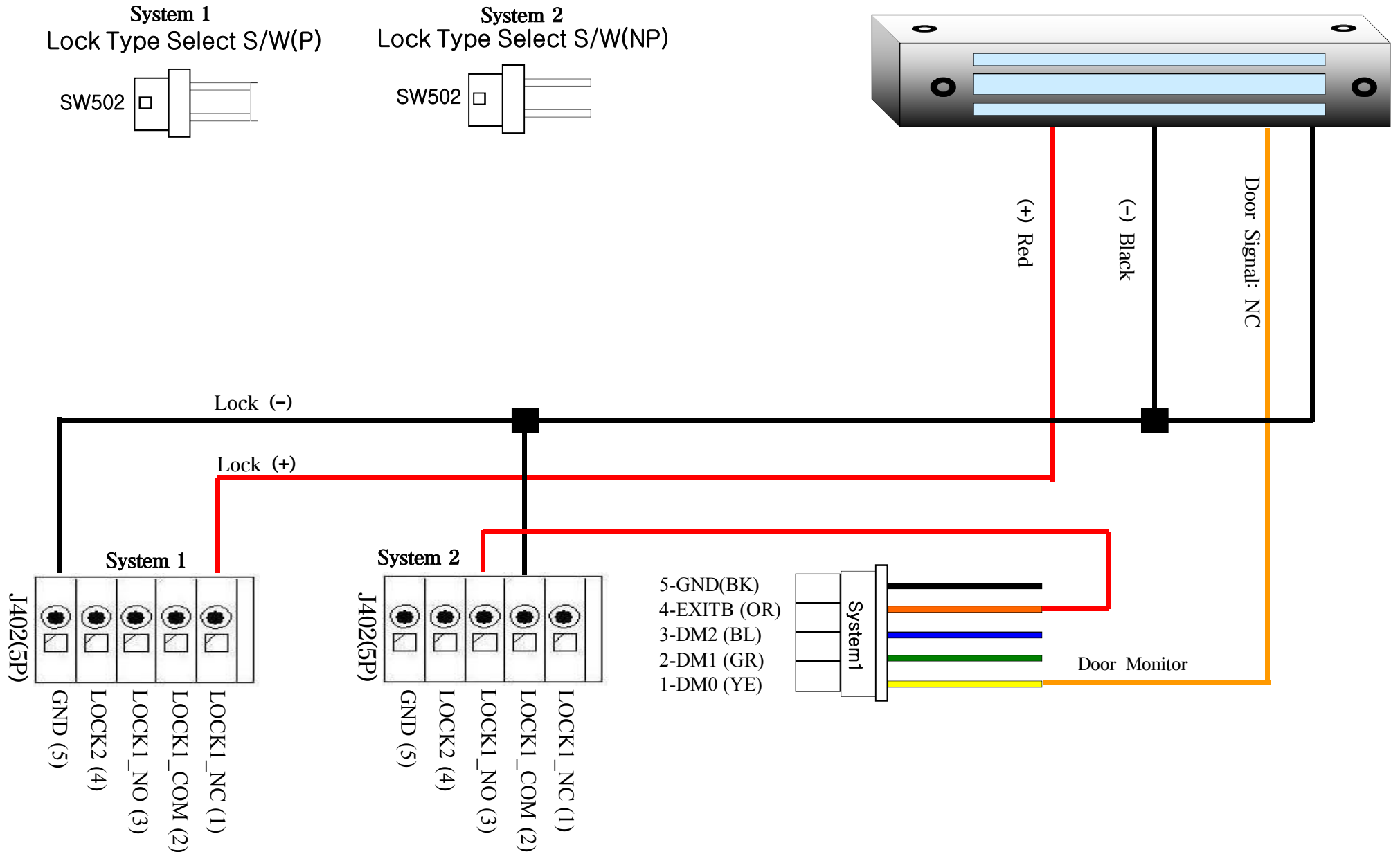


<EM Door Signal>
 Closed: NO-COM, Short
 NC-COM, Open
 Opened: NO-COM, Open
 NC-COM, Short



8. Connecting an EM Type Door Lock (Fail Safe)

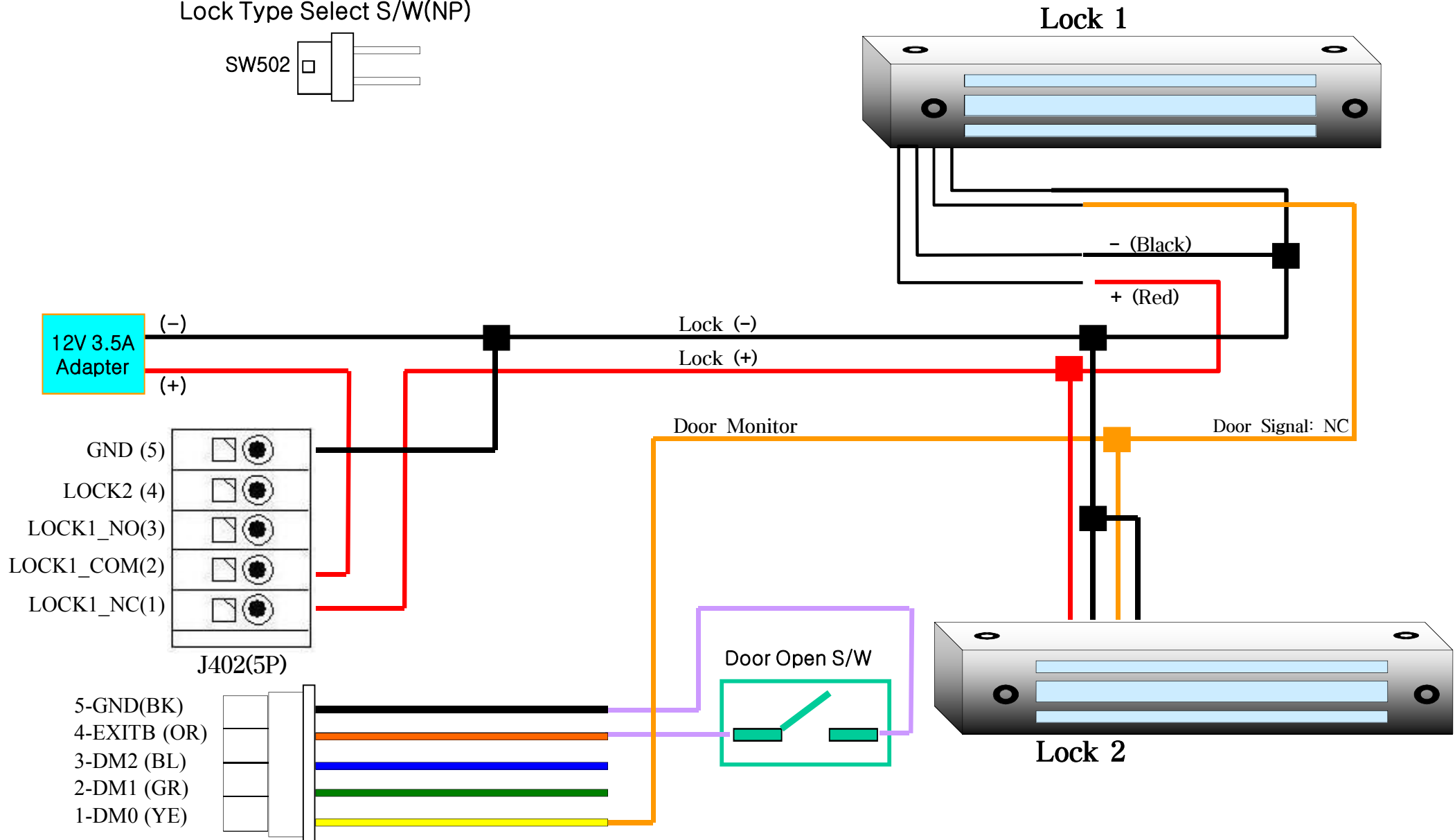
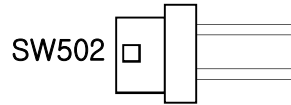
8.2. Connecting Two Systems/ One Lock



8. Connecting an EM Type Door Lock (Fail Safe)

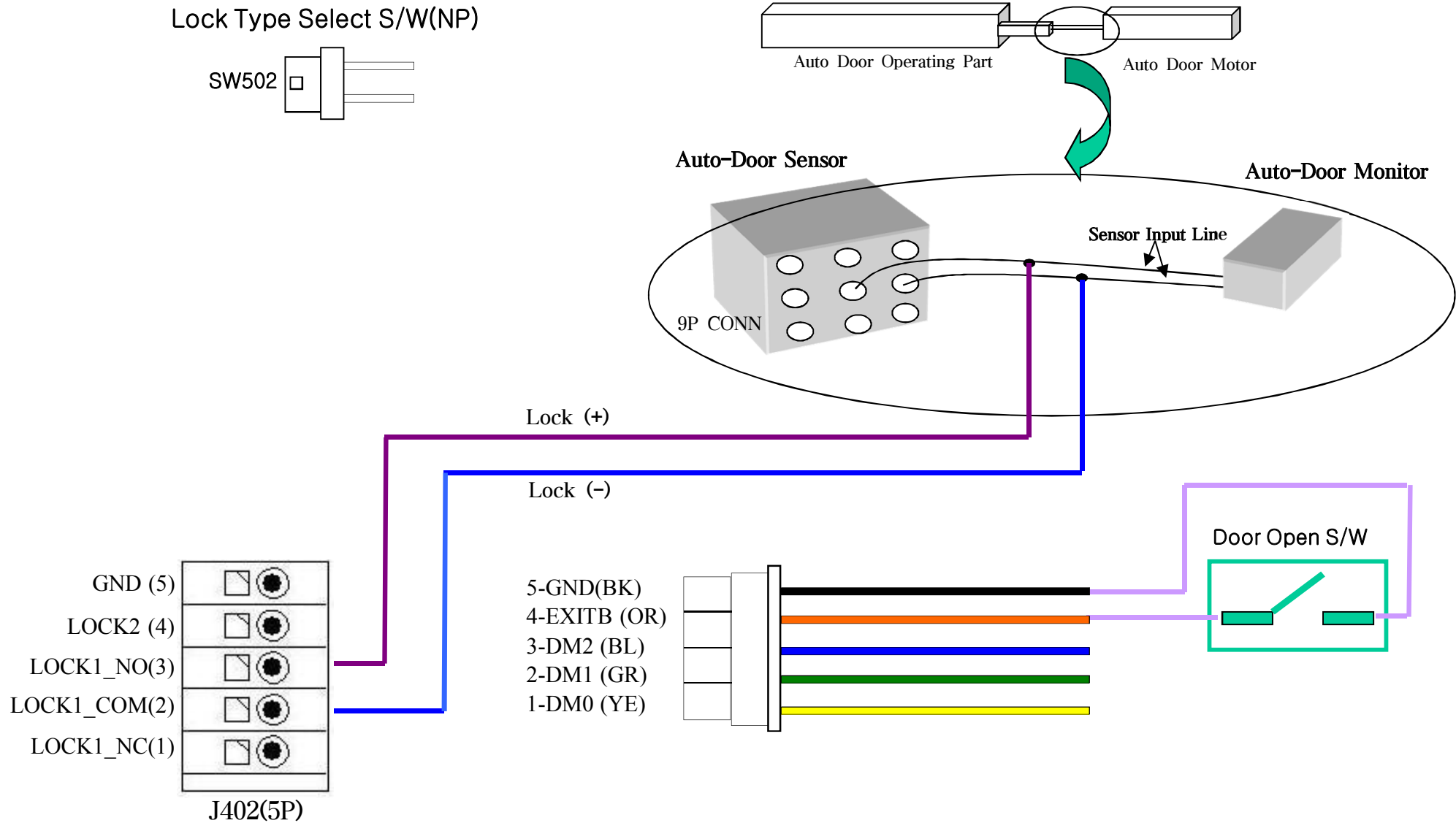
8.3. Connecting One System/ Two Locks “ Use external DC Power adapter”

Lock Type Select S/W(NP)



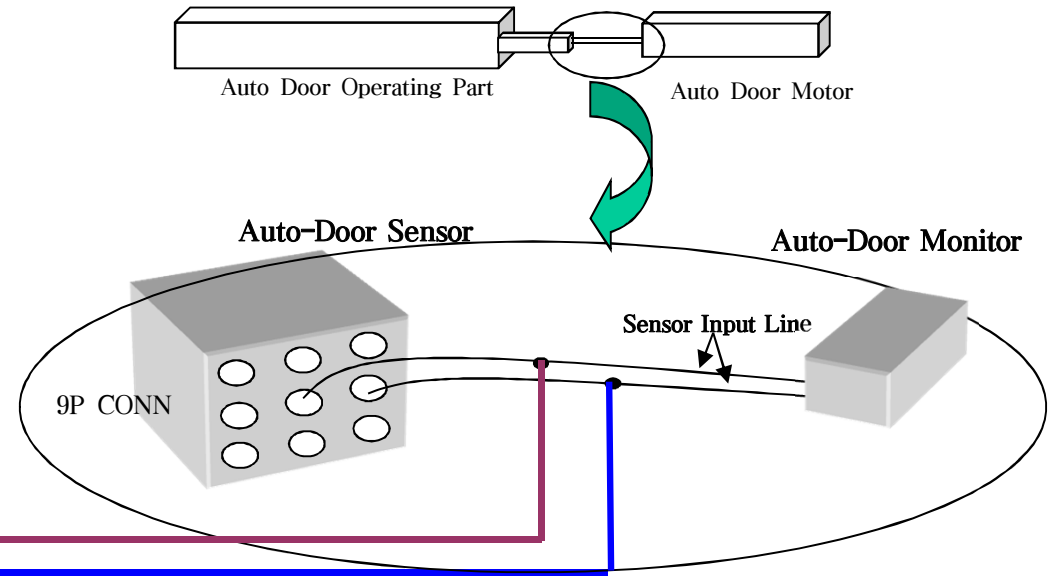
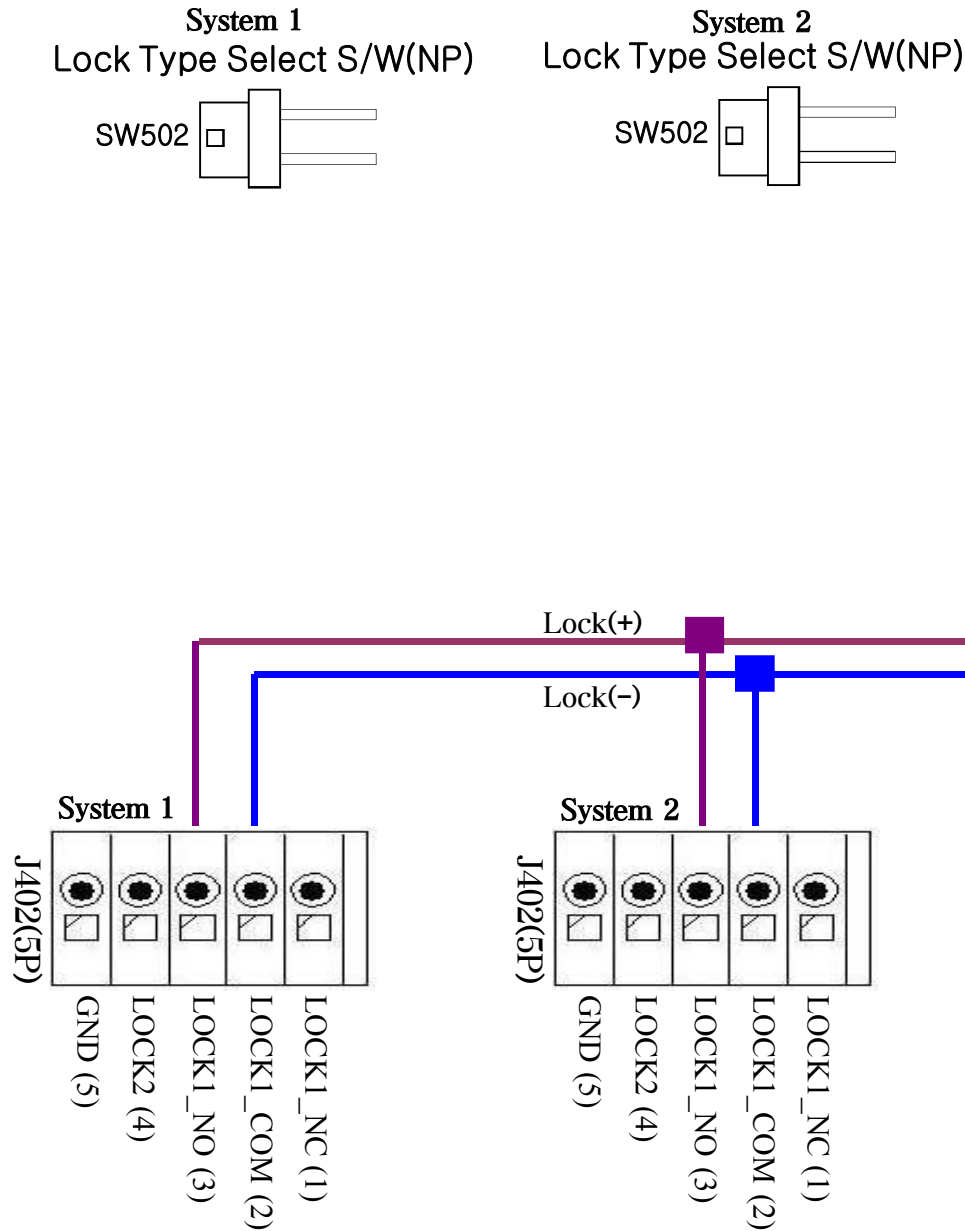
9. Connecting Auto-Door (Contact Control)

9.1. Connecting One System/ One Door

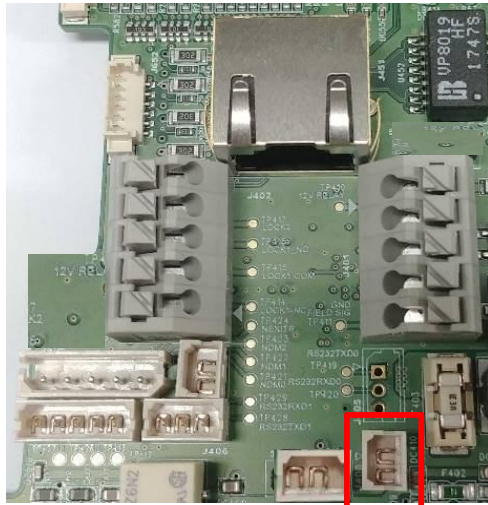


9. Connecting Auto-Door (Contact Control)

9.2. Connecting Two Systems/ One Door

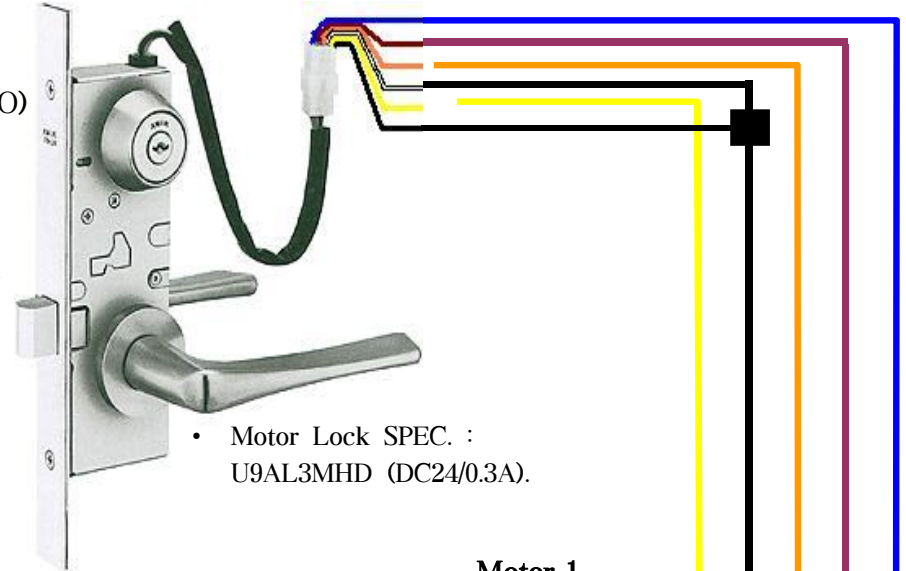


10. Connecting a Motorised Lock

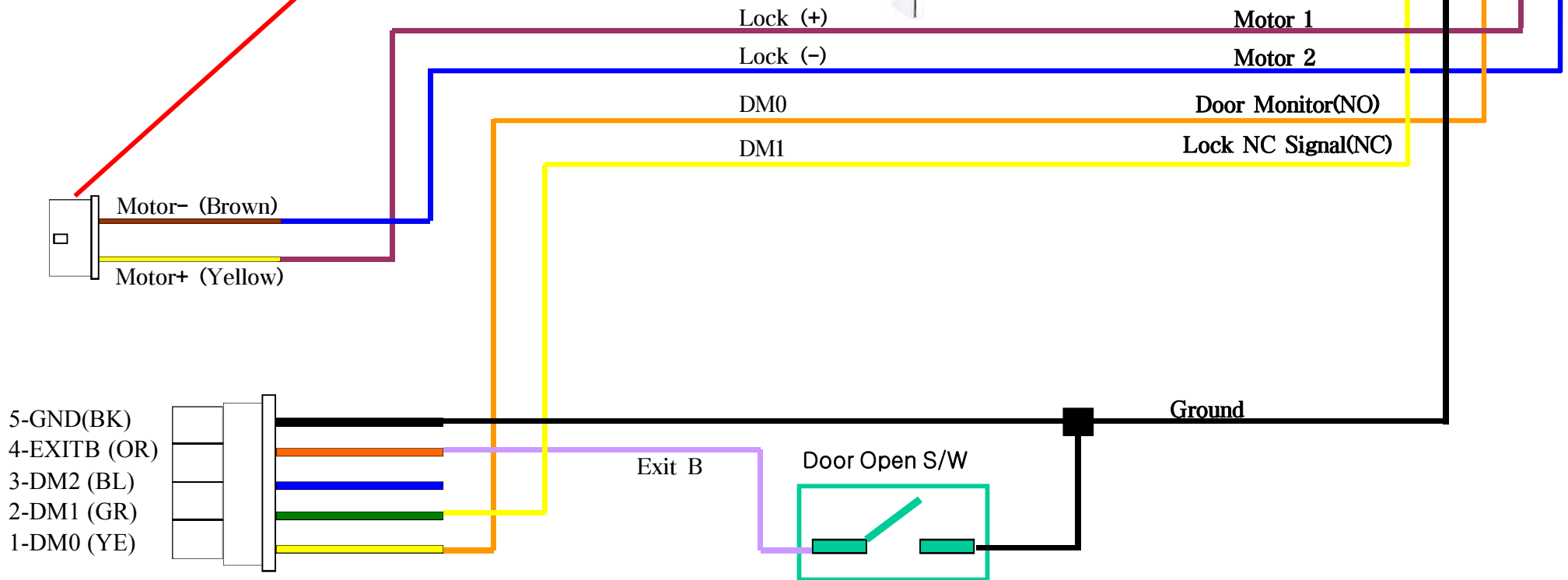


J408

- Blue : Motor 2
- Brown : Motor 1
- Orange : Door Monitor(NO)
- White : Ground
- Yellow : Lock NC Signal
- Black : Ground
- Red : Lock NO Signal



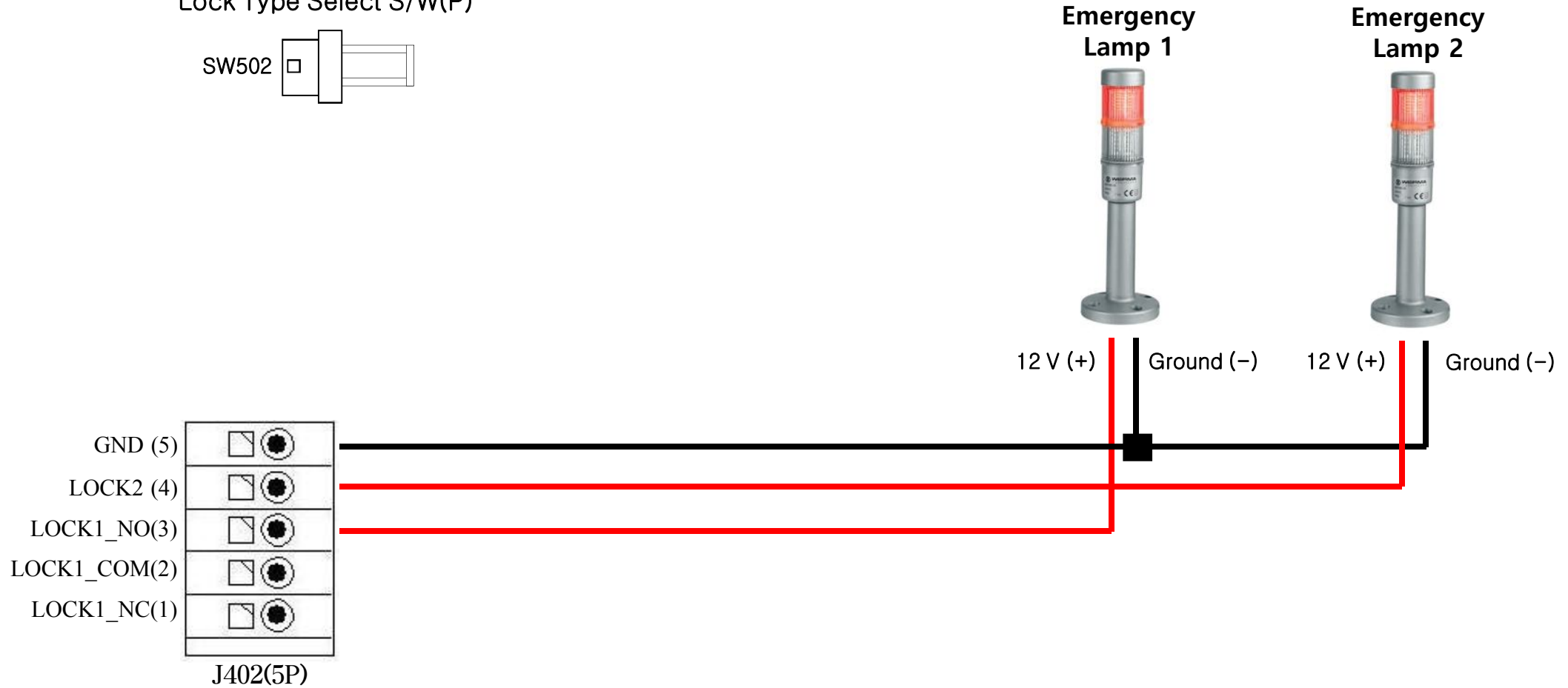
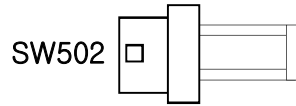
• Motor Lock SPEC. :
U9AL3MHD (DC24/0.3A).



- 5-GND(BK)
- 4-EXITB (OR)
- 3-DM2 (BL)
- 2-DM1 (GR)
- 1-DM0 (YE)

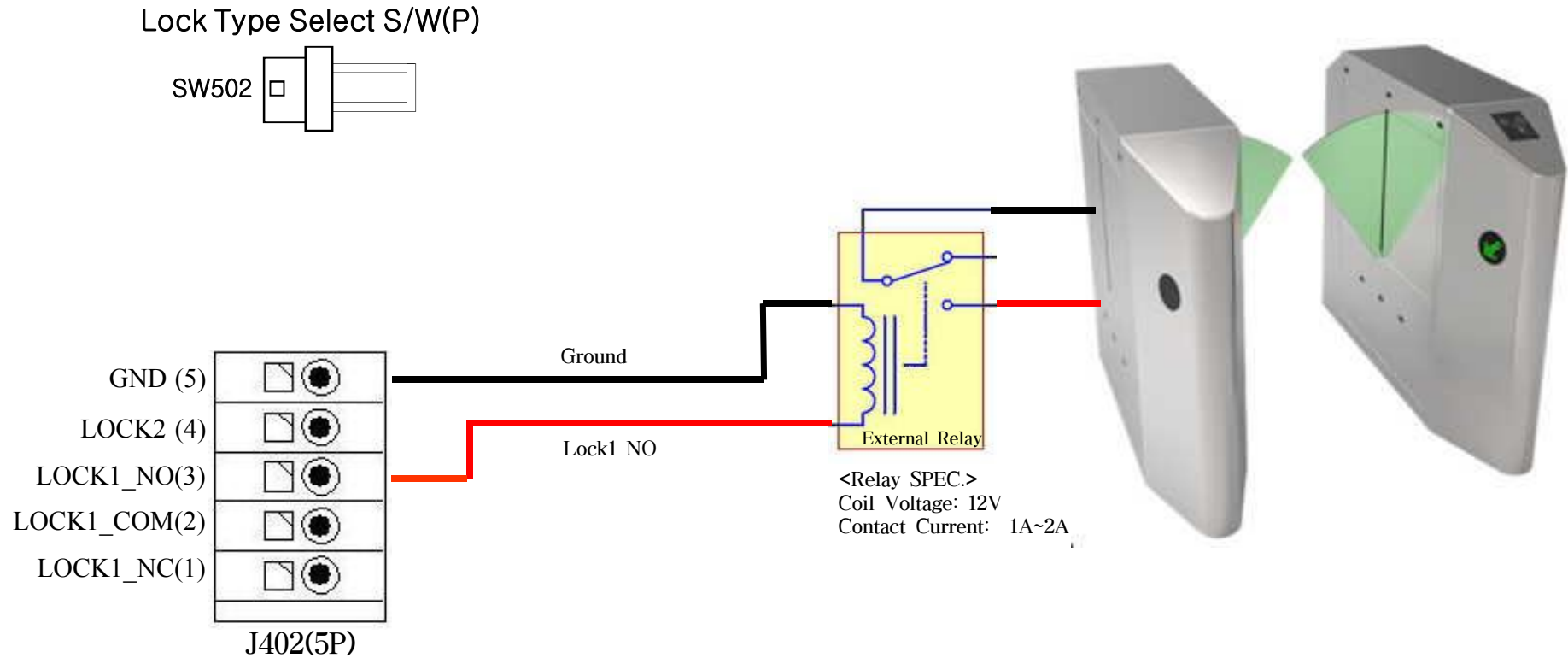
11. Connecting Two Emergency Lamps

Lock Type Select S/W(P)

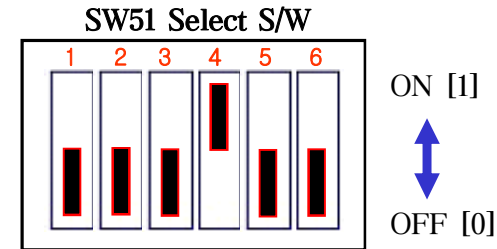


12.1 How to connect an external relay

** It is recommended to connect an external relay if a problem occurs after connection with an external equipment such as a speed gate.



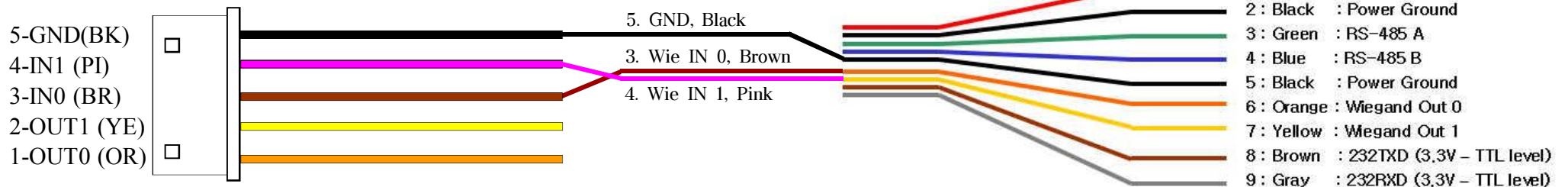
12.2 How to connect the VS-R20D RF Dummy Card Reader



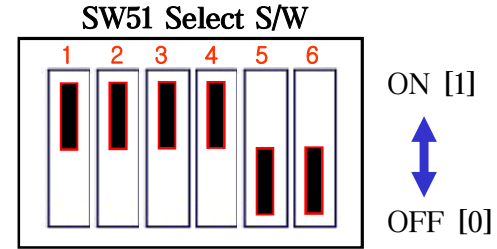
- * 1, 2, 3 OFF: 26Bit
- * 4 ON: Wiegand Mode



Wiegand Cable (5P)



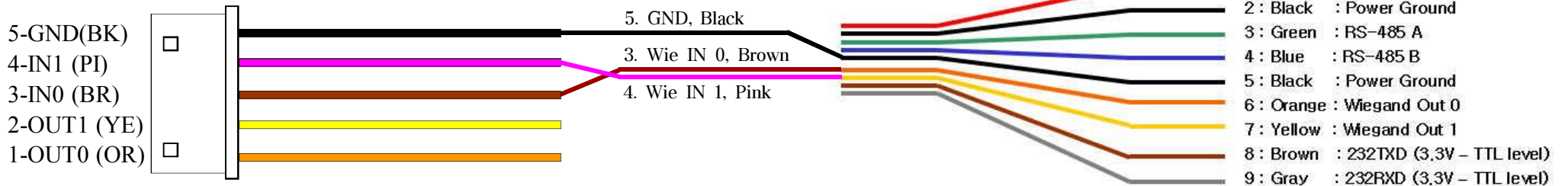
12.3 How to connect the VS-R20D SC Dummy Card Reader



- * 1, 2, 3 ON: 34Bit
- * 4 ON: Wiegand Mode



Wiegand Cable (5P)



** Recommend installation guide1 (RF & SC Card)



** 제품간 RF/SC Card Antenna 간섭을 막기위해 제품간 최소 10Cm 이상 이격시켜 설치한다.
(10Cm 이내에 설치 시 카드 인식 거리가 줄어들 수 있음.)

** Recommend installation guide 2

